

Electric powered forklift 1.5 - 2.0 ton

TOYOTA
TRIGO⁴⁸

3 wheel



Electric powered forklift 1.5 - 1.6 t

Truck specifications					8FBET15	8FBET16	8FBET16	
Identification	1.1	Manufacturer			TOYOTA	TOYOTA	TOYOTA	
	1.2	Model			8FBET15	8FBET16	8FBET16	
	1.3	Drive			Electric	Electric	Electric	
	1.4	Operator type			Rider seated	Rider seated	Rider seated	
	1.5	Load capacity/rated load	Q	kg	1500	1600	1600	
	1.6	Load centre	c	mm	500	500	500	
	1.8	Load distance, centre of drive axle to fork	x	mm	358	358	358	
	1.9	Wheelbase	y	mm	1264	1372	1480	
	Weight	2.1	Service weight		kg	3035	3064	3041
2.2		Axle load, with load, front/rear		kg	3991/543	4134/531	4139/502	
2.3		Axle load, without load, front/rear		kg	1485/1550	1544/1520	1622/1419	
Tyres	3.1	Tyre - pneumatic (P), pneumatic shaped cushion (SE), solid rubber (R)			SE	SE	SE	
	3.2	Tyre size, front			18x7-8	18x7-8	18x7-8	
	3.3	Tyre size, rear			15x4.1/2x8	15x4.1/2x8	15x4.1/2x8	
	3.5	Wheels, number front/rear (x=driven wheels)			2x/2	2x/2	2x/2	
	3.6	Track width, front	b ₁₀	mm	894	894	894	
	3.7	Track width, rear	b ₁₁	mm	175,4	175,4	175,4	
	Dimensions	4.1	Tilt of mast/fork carriage forward/backward	α/β	deg	5/7	5/7	5/7
4.2		Height, mast lowered	h ₁	mm	2120	2120	2120	
4.3		Free lift	h ₂	mm	115	115	115	
4.4		Lift	h ₃	mm	3265	3265	3265	
		Lift height	h ₂₃	mm	3300	3300	3300	
4.5		Height, mast extended	h ₄	mm	3870	3870	3870	
4.7		Height of overhead guard (cab)	h ₆	mm	2055	2055	2055	
4.8		Seat height/stand height	h ₇	mm	944	944	944	
4.12		Coupling height	h ₁₀	mm	537	537	537	
4.19		Overall length	l ₁	mm	2792	2900	3008	
4.20		Length to face of forks	l ₂	mm	1792	1900	2008	
4.21		Overall width	b ₁	mm	1050	1050	1050	
4.22		Fork dimensions	s/e/l	mm	35/100/1000	35/100/1000	35/100/1000	
4.23		Fork carriage DIN 15 173, class/type A, B			IIA	IIA	IIA	
4.24		Fork-carriage width	b ₃	mm	920	920	920	
4.31		Ground clearance, with load, below mast	m ₁	mm	80	80	80	
4.32		Ground clearance, centre of wheelbase	m ₂	mm	90	90	90	
4.33		Aisle width for pallets 1000 x 1200 crossways	A _{st}	mm	3119	3227	3335	
4.34		Aisle width for pallets 800 x 1200 lengthways	A _{st}	mm	3243	3351	3459	
4.35	Turning radius	W _a	mm	1434	1542	1650		
4.36	Internal turning radius	b ₁₃	mm	0	0	0		
Performance data	5.1	Travel speed, with/without load		km/h	16/16	16/16	16/16	
	5.2	Lift speed, with/without load		m/s	0,44/0,61	0,43/0,61	0,43/0,61	
	5.3	Lowering speed, with/without load		m/s	0,53/0,55	0,53/0,55	0,53/0,55	
	5.5	Drawbar pull, with/without load		N	5068/5158	5041/5149	5044/5153	
	5.6	Max. drawbar pull, with/without load		N	9519/9424	9491/9415	9495/9419	
	5.7	Gradeability, with/without load		%	16,9/22,0	16,3/23,4	16,3/25,3	
	5.8	Max. gradeability, with/without load		%	23,1/22,00	22,2/23,4	22,3/25,3	
	5.10	Service brake			Mechanical	Mechanical	Mechanical	
	Electric motor	6.1	Drive motor rating S2 60 min		kW	6,6x2	6,6x2	6,6x2
		6.2	Lift motor rating S3 15%		kW	11	11	11
6.3		Battery acc. to DIN 43 531/35/36 A, B, C, no			43 531A	43 531A	43 531A	
6.4		Battery voltage, nominal capacity K5		V/Ah	48/440	48/550	48/660	
6.5		Battery weight		kg	708	856	1013	
Others	8.1	Type of drive control			inverter MOSFET	inverter MOSFET	inverter MOSFET	
	8.2	Operating pressure for attachments		bar	183	183	183	
	8.3	Oil volume for attachments		l/min	41,3	41,3	41,3	
	8.4	Sound level at the driver's ear according to EN 12 053		dB(A)	70,7	70,7	70,7	

Performance data and dimensions are nominal and subject to tolerances.
Specifications are subject to change without notice.
Please obtain the latest specifications before contracting products.

Master dimensions and rated capacities

Model			V								FV				FW				FSV						FSW							
8FBET15/8FBET16 /8FBET16	Lift height	h_{23}	3000	3300	3500	3700	4000	4500	5000	3000	3300	3500	3700	3000	3300	3500	3700	4300	4500	4700	5000	5500	6000	4300	4500	4700	5000	5500	6000	6500	7000	7500
	Lift	h_3	2965	3265	3465	3665	3965	4465	4965	2965	3265	3465	3665	2965	3265	3465	3665	4265	4465	4665	4965	5465	5965	4265	4465	4665	4965	5465	5965	6465	6965	7465
	Height, mast lowered	h_1	1970	2120	2220	2380	2570	2820	3070	1970	2120	2220	2380	2000	2150	2250	2350	1970	2040	2120	2220	2380	2570	1980	2050	2150	2250	2450	2600	2800	3000	3200
	Height, mast extended ¹⁾	h_4	3570	3870	4070	4270	4570	5070	5570	3580	3880	4080	4280	3555	3855	4055	4255	4845	5045	5245	5545	6045	6545	4845	5045	5245	5545	6045	6545	7045	7545	8045
	Height, mast extended ²⁾	h_4	4260	4560	4760	4960	5260	5760	6260	4260	4560	4760	4960	4260	4560	4760	4960	5560	5760	5960	6260	6760	7260	5560	5760	5960	6260	6760	7260	7760	8260	8760
	Free lift, without load backrest	h_2	115	115	115	115	115	115	115	1425	1575	1675	1835	1485	1635	1735	1835	1450	1520	1600	1700	1860	2050	1475	1545	1645	1745	1945	2095	2295	2495	2695
Free lift, with load backrest	h_2	115	115	115	115	115	115	115	745	895	995	1155	780	930	1030	1130	745	815	895	995	1155	1345	760	830	930	1030	1230	1380	1580	1780	1980	

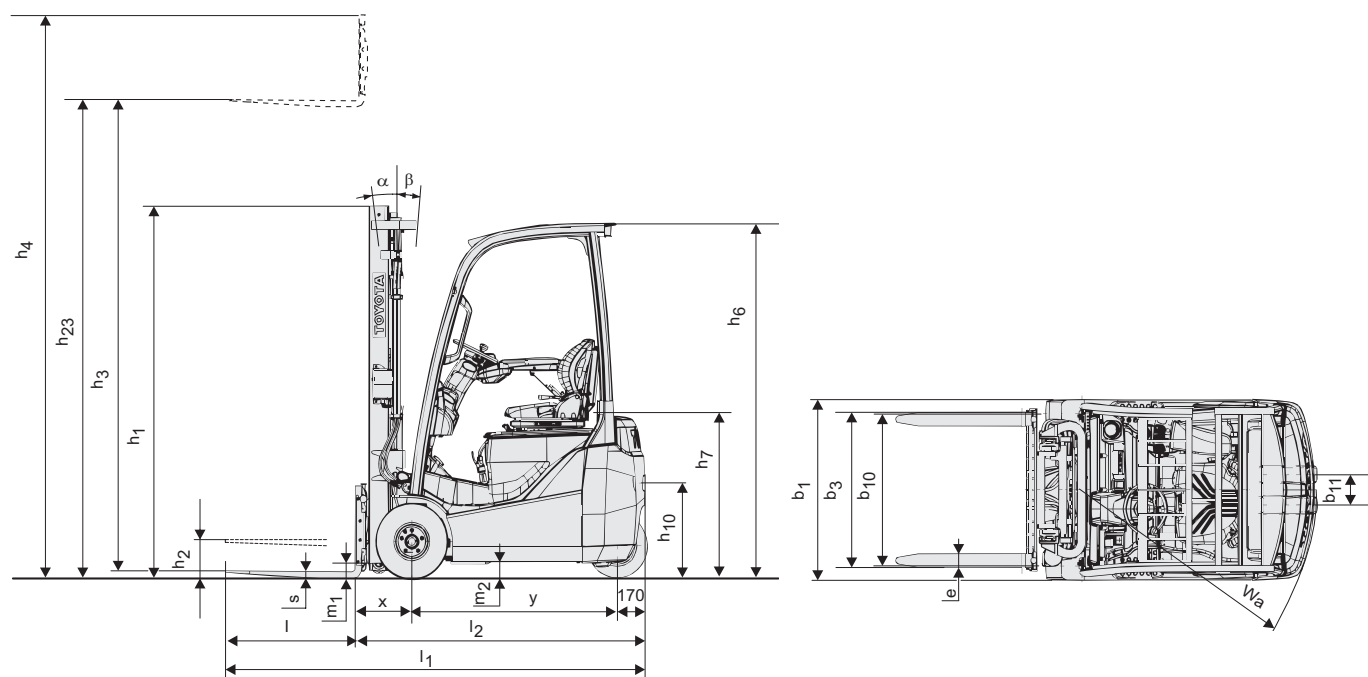
1) Without load backrest

2) With load backrest; Height of standard load backrest is 1220 mm.

Pneumatic shaped cushion tyre			V								FV				FW				FSV						FSW							
8FBET15 /8FBET16	Tilt range, forward	deg	5	5	5	5	5	5	5	5	5	5	5	5	5	5	5	5	5	5	5	5	5	5	5	5	5	5	5	5	5	
	Tilt range, backward	deg	7(5)	7(5)	7(5)	7(5)	7(5)	7(5)	7(5)	7(5)	7(5)	7(5)	7(5)	7(5)	7(5)	7(5)	7(5)	7(5)	7(5)	7(5)	7(5)	7(5)	7(5)	7(5)	7(5)	7(5)	7(5)	7(5)	7(5)	7(5)	7(5)	
	Load capacity at 500 mm LC	kg	1500	1500	1500	1500	1500	1450	1500	1500	1500	1500	1500	1500	1500	1500	1500	1450	1430	1420	1380	1320	1200	1450	1430	1420	1380	1320	1200	900	650	400
8FBET16 /8FBET16	Tilt range, forward	deg	5	5	5	5	5	5	5	5	5	5	5	5	5	5	5	5	5	5	5	5	5	5	5	5	5	5	5	5	5	
	Tilt range, backward	deg	7(5)	7(5)	7(5)	7(5)	7(5)	7(5)	7(5)	7(5)	7(5)	7(5)	7(5)	7(5)	7(5)	7(5)	7(5)	7(5)	7(5)	7(5)	7(5)	7(5)	7(5)	7(5)	7(5)	7(5)	7(5)	7(5)	7(5)	7(5)	7(5)	
	Load capacity at 500 mm LC	kg	1600	1600	1600	1600	1600	1600	1550	1600	1600	1600	1600	1600	1600	1600	1600	1550	1500	1450	1400	1350	1300	1550	1500	1450	1400	1350	1300	1000	750	500

Pneumatic tyre			V								FV				FW				FSV						FSW							
8FBET15 /8FBET16	Tilt range, forward	deg	5	5	5	5	5	5	5	5	5	5	5	5	5	5	5	5	5	5	5	5	5	5	5	5	5	5	5	5	5	
	Tilt range, backward	deg	7(5)	7(5)	7(5)	7(5)	7(5)	7(5)	7(5)	7(5)	7(5)	7(5)	7(5)	7(5)	7(5)	7(5)	7(5)	7(5)	7(5)	7(5)	7(5)	7(5)	7(5)	7(5)	7(5)	7(5)	7(5)	7(5)	7(5)	7(5)	7(5)	
	Load capacity at 500 mm LC	kg	1500	1500	1500	1500	1450	1350	1250	1500	1500	1500	1500	1500	1500	1500	1500	1400	1370	1350	1200	900	700	1400	1370	1350	1200	900	700	550	400	300
8FBET16 /8FBET16	Tilt range, forward	deg	5	5	5	5	5	5	5	5	5	5	5	5	5	5	5	5	5	5	5	5	5	5	5	5	5	5	5	5	5	
	Tilt range, backward	deg	7(5)	7(5)	7(5)	7(5)	7(5)	7(5)	7(5)	7(5)	7(5)	7(5)	7(5)	7(5)	7(5)	7(5)	7(5)	7(5)	7(5)	7(5)	7(5)	7(5)	7(5)	7(5)	7(5)	7(5)	7(5)	7(5)	7(5)	7(5)	7(5)	
	Load capacity at 500 mm LC	kg	1600	1600	1600	1600	1550	1500	1400	1600	1600	1600	1600	1600	1600	1600	1600	1450	1420	1400	1300	950	750	1450	1420	1400	1300	950	750	600	450	350

Data in () are for when "Cabin Series" is selected (minimum front windshield).



Electric powered forklift 1.8 ton

Truck specifications					8FBEKT18	8FBET18
Identification	1.1	Manufacturer			TOYOTA	TOYOTA
	1.2	Model			8FBEKT18	8FBET18
	1.3	Drive			Electric	Electric
	1.4	Operator type			Rider seated	Rider seated
	1.5	Load capacity/rated load	Q	kg	1800	1800
	1.6	Load centre	c	mm	500	500
	1.8	Load distance, centre of drive axle to fork	x	mm	358	358
	1.9	Wheelbase	y	mm	1372	1480
	Weight	2.1	Service weight			3198
2.2		Axle load, with load, front/rear			4449/549	4447/559
2.3		Axle load, without load, front/rear			1527/1671	1606/1600
Tyres	3.1	Tyre - pneumatic (P), pneumatic shaped cushion (SE), solid rubber (R)			SE	SE
	3.2	Tyre size, front			18x7-8	18x7-8
	3.3	Tyre size, rear			140/55-9	140/55-9
	3.5	Wheels, number front/rear (x=driven wheels)			2x2	2x2
	3.6	Track width, front	b ₁₀	mm	894	894
	3.7	Track width, rear	b ₁₁	mm	181	181
	Dimensions	4.1	Tilt of mast/fork carriage forward/backward	α/β	deg	5/7
4.2		Height, mast lowered	h ₁	mm	2120	2130
4.3		Free lift	h ₂	mm	115	115
4.4		Lift	h ₃	mm	3265	3265
		Lift height	h ₂₃	mm	3300	3300
4.5		Height, mast extended	h ₄	mm	3870	3870
4.7		Height of overhead guard (cab)	h ₆	mm	2055	2055
4.8		Seat height/stand height	h ₇	mm	944	944
4.12		Coupling height	h ₁₀	mm	543	543
4.19		Overall length	l ₁	mm	2900	3008
4.20		Length to face of forks	l ₂	mm	1900	2008
4.21		Overall width	b ₁	mm	1050	1050
4.22		Fork dimensions	s/e/l	mm	35/100/1000	35/100/1000
4.23		Fork carriage DIN 15 173, class/type A, B			A	A
4.24		Fork-carriage width	b ₃	mm	920	920
4.31		Ground clearance, with load, below mast	m ₁	mm	80	80
4.32		Ground clearance, centre of wheelbase	m ₂	mm	90	90
4.33		Aisle width for pallets 1000 x 1200 crossways	A _{st}	mm	3227	3335
4.34	Aisle width for pallets 800 x 1200 lengthways	A _{st}	mm	3351	3459	
4.35	Turning radius	W _a	mm	1542	1650	
4.36	Internal turning radius	b ₁₃	mm	0	0	
Performance data	5.1	Travel speed, with/without load		km/h	16/16	16/16
	5.2	Lift speed, with/without load		m/s	0,42/0,61	0,42/0,61
	5.3	Lowering speed, with/without load		m/s	0,53/0,55	0,53/0,55
	5.5	Drawbar pull, with/without load		N	4979/5126	4986/5133
	5.6	Max. drawbar pull, with/without load		N	9429/9392	9437/9399
	5.7	Gradeability, with/without load		%	15,0/22,1	15,1/24,1
	5.8	Max. gradeability, with/without load		%	20,5/22,1	20,7/24,1
	5.10	Service brake			Mechanical	Mechanical
Electric motor	6.1	Drive motor rating S2 60 min		kW	6,6x2	6,6x2
	6.2	Lift motor rating S3 15%		kW	11	11
	6.3	Battery acc. to DIN 43 531/35/36 A, B, C, no			43 531A	43 531A
	6.4	Battery voltage, nominal capacity K5		V/Ah	48/550	48/660
	6.5	Battery weight		kg	856	1013
Others	8.1	Type of drive control			inverter MOSFET	inverter MOSFET
	8.2	Operating pressure for attachments		bar	183	183
	8.3	Oil volume for attachments		l/min	41,3	41,3
	8.4	Sound level at the driver's ear according to EN 12 053		dB(A)	70,7	70,7

Performance data and dimensions are nominal and subject to tolerances.
 Specifications are subject to change without notice.
 Please obtain the latest specifications before contracting products.

Master dimensions and rated capacities

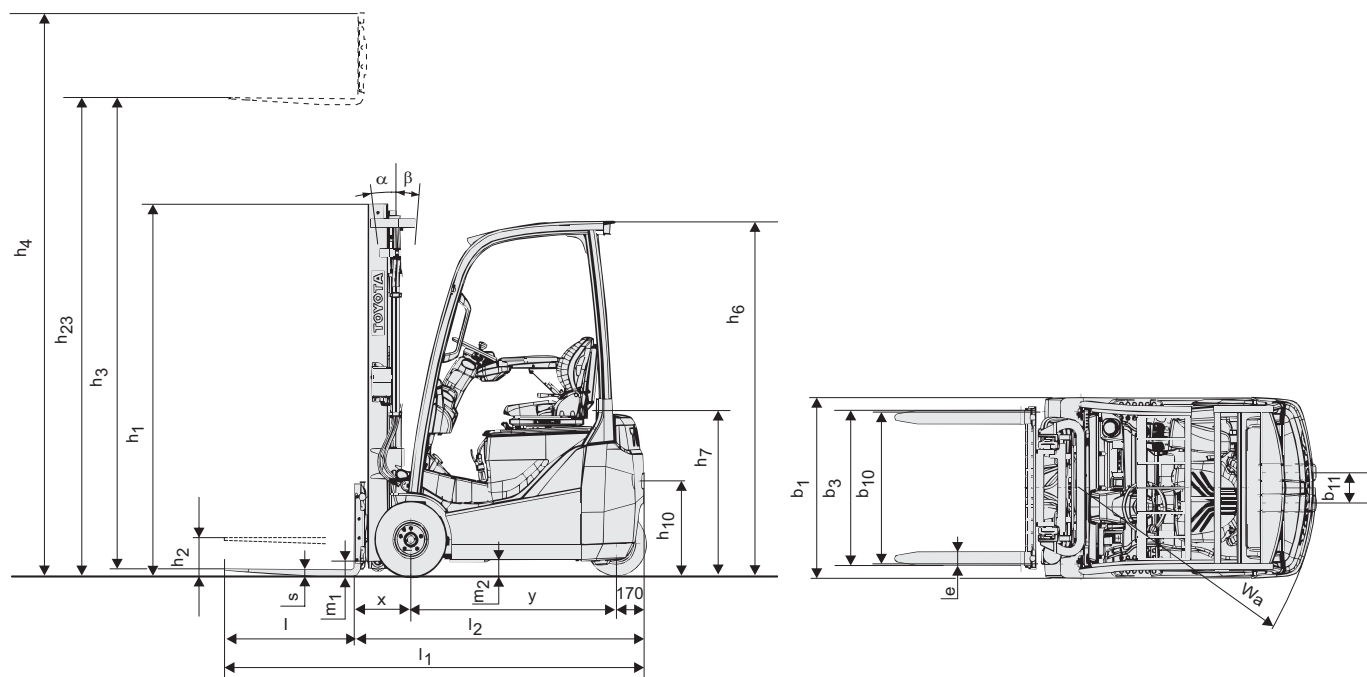
Model			V								FV				FW				FSV						FSW							
8FBET18/8FBET18	Lift height	h_{23}	3000	3300	3500	3700	4000	4500	5000	3000	3300	3500	3700	3000	3300	3500	3700	4300	4500	4700	5000	5500	6000	4300	4500	4700	5000	5500	6000	6500	7000	7500
	Lift	h_3	2965	3265	3465	3665	3965	4465	4965	2965	3265	3465	3665	2965	3265	3465	3665	4265	4465	4665	4965	5465	5965	4265	4465	4665	4965	5465	5965	6465	6965	7465
	Height, mast lowered	h_1	1970	2120	2220	2380	2570	2820	3070	1970	2120	2220	2380	2000	2150	2250	2350	1970	2040	2120	2220	2380	2570	1980	2050	2150	2250	2450	2600	2800	3000	3200
	Height, mast extended ¹⁾	h_4	3570	3870	4070	4270	4570	5070	5570	3580	3880	4080	4280	3555	3855	4055	4255	4845	5045	5245	5545	6045	6545	4845	5045	5245	5545	6045	6545	7045	7545	8045
	Height, mast extended ²⁾	h_4	4260	4560	4760	4960	5260	5760	6260	4260	4560	4760	4960	4260	4560	4760	4960	5560	5760	5960	6260	6760	7260	5560	5760	5960	6260	6760	7260	7760	8260	8760
	Free lift, without load backrest	h_2	115	115	115	115	115	115	115	1425	1575	1675	1835	1485	1635	1735	1835	1450	1520	1600	1700	1860	2050	1475	1545	1645	1745	1945	2095	2295	2495	2695
Free lift, with load backrest	h_2	115	115	115	115	115	115	115	745	895	995	1155	780	930	1030	1130	745	815	895	995	1155	1345	760	830	930	1030	1230	1380	1580	1780	1980	

1) Without load backrest

2) With load backrest; Height of standard load backrest is 1220 mm.

Pneumatic shaped cushion tyre			V								FV				FW				FSV						FSW							
8FBET18/8FBET18	Tilt range, forward	deg	5	5	5	5	5	5	5	5	5	5	5	5	5	5	5	5	5	5	5	5	5	5	5	5	5	5	5	5	5	
	Tilt range, backward	deg	7(5)	7(5)	7(5)	7(5)	7(5)	7(5)	7(5)	7(5)	7(5)	7(5)	7(5)	7(5)	7(5)	7(5)	7(5)	7(5)	7(5)	7(5)	7(5)	7(5)	7(5)	7(5)	7(5)	7(5)	7(5)	7(5)	7(5)	7(5)	7(5)	
	Load capacity at 500 mm LC	kg	1800	1800	1800	1800	1800	1700	1600	1800	1800	1800	1800	1800	1800	1800	1800	1650	1620	1600	1550	1450	1350	1650	1620	1600	1550	1450	1350	1050	800	550

Data in () are for when "Cabin Series" is selected (minimum front windshield).



Electric powered forklift 2.0 ton

Truck specifications					8FBET20	
Identification	1.1	Manufacturer			TOYOTA	
	1.2	Model			8FBET20	
	1.3	Drive			Electric	
	1.4	Operator type			Rider seated	
	1.5	Load capacity/rated load	Q	kg	2000	
	1.6	Load centre	c	mm	500	
	1.8	Load distance, centre of drive axle to fork	x	mm	358	
	1.9	Wheelbase	y	mm	1480	
	Weight	2.1	Service weight			3419
2.2		Axle load, with load, front/rear			4805/614	
2.3		Axle load, without load, front/rear			1649/1770	
Tyres	3.1	Tyre - pneumatic (P), pneumatic shaped cushion (SE), solid rubber (R)			SE	
	3.2	Tyre size, front			200/50-10	
	3.3	Tyre size, rear			140/55-9	
	3.5	Wheels, number front/rear (x=driven wheels)			2x2	
	3.6	Track width, front	b ₁₀	mm	914	
	3.7	Track width, rear	b ₁₁	mm	181	
	Dimensions	4.1	Tilt of mast/fork carriage forward/backward	α/β	deg	5/7
4.2		Height, mast lowered	h ₁	mm	2120	
4.3		Free lift	h ₂	mm	115	
4.4		Lift	h ₃	mm	3265	
		Lift height	h ₂₃	mm	3300	
4.5		Height, mast extended	h ₄	mm	3870	
4.7		Height of overhead guard (cab)	h ₆	mm	2055	
4.8		Seat height/stand height	h ₇	mm	952	
4.12		Coupling height	h ₁₀	mm	543	
4.19		Overall length	l ₁	mm	3008	
4.20		Length to face of forks	l ₂	mm	2008	
4.21		Overall width	b ₁	mm	1122	
4.22		Fork dimensions	s/e/l	mm	35/120/1000	
4.23		Fork carriage DIN 15 173, class/type A, B			A	
4.24		Fork-carriage width	b ₃	mm	920	
4.31		Ground clearance, with load, below mast	m ₁	mm	90	
4.32		Ground clearance, centre of wheelbase	m ₂	mm	97	
4.33		Aisle width for pallets 1000 x 1200 crossways	A _{st}	mm	3335	
4.34		Aisle width for pallets 800 x 1200 lengthways	A _{st}	mm	3459	
4.35	Turning radius	W _a	mm	1650		
4.36	Internal turning radius	b ₁₃	mm	0		
Performance data	5.1	Travel speed, with/without load		km/h	16/16	
	5.2	Lift speed, with/without load		m/s	0,38/0,54	
	5.3	Lowering speed, with/without load		m/s	0,52/0,50	
	5.5	Drawbar pull, with/without load		N	4839/5046	
	5.6	Max. drawbar pull, with/without load		N	9145/9188	
	5.7	Gradeability, with/without load		%	13,2/24,4	
	5.8	Max. gradeability, with/without load		%	18,0/24,4	
	5.10	Service brake			Mechanical	
	Electric motor	6.1	Drive motor rating S2 60 min		kW	6,6x2
		6.2	Lift motor rating S3 15%		kW	11
6.3		Battery acc. to DIN 43 531/35/36 A, B, C, no			43 531A	
6.4		Battery voltage, nominal capacity K5		V/Ah	48/660	
6.5		Battery weight		kg	1013	
Others	8.1	Type of drive control			inverter MOSFET	
	8.2	Operating pressure for attachments		bar	183	
	8.3	Oil volume for attachments		l/min	41,3	
	8.4	Sound level at the driver's ear according to EN 12 053		dB(A)	70,7	

Performance data and dimensions are nominal and subject to tolerances.
 Specifications are subject to change without notice.
 Please obtain the latest specifications before contracting products.

Master dimensions and rated capacities

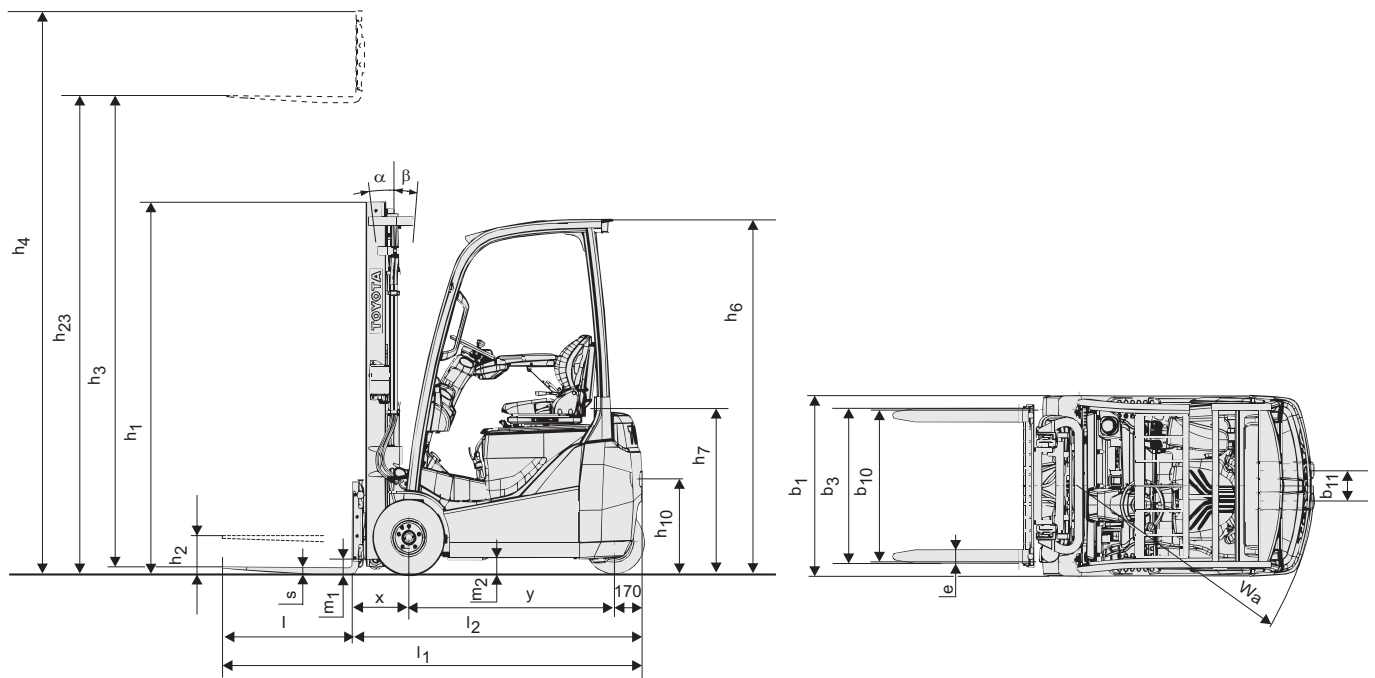
Model			V								FV				FW				FSV						FSW							
8FBET20	Lift height	h_{23}	3000	3300	3500	3700	4000	4500	5000	3000	3300	3500	3700	3000	3300	3500	3700	4300	4500	4700	5000	5500	6000	4300	4500	4700	5000	5500	6000	6500	7000	7500
	Lift	h_3	2965	3265	3465	3665	3965	4465	4965	2965	3265	3465	3665	2965	3265	3465	3665	4265	4465	4665	4965	5465	5965	4265	4465	4665	4965	5465	5965	6465	6965	7465
	Height, mast lowered	h_1	1970	2120	2220	2380	2570	2820	3070	1970	2120	2220	2380	2000	2150	2250	2350	1970	2040	2120	2220	2380	2570	1980	2050	2150	2250	2450	2600	2800	3000	3200
	Height, mast extended ¹⁾	h_4	3570	3870	4070	4270	4570	5070	5570	3580	3880	4080	4280	3555	3855	4055	4255	4845	5045	5245	5545	6045	6545	4845	5045	5245	5545	6045	6545	7045	7545	8045
	Height, mast extended ²⁾	h_4	4260	4560	4760	4960	5260	5760	6260	4260	4560	4760	4960	4260	4560	4760	4960	5560	5760	5960	6260	6760	7260	5560	5760	5960	6260	6760	7260	7760	8260	8760
	Free lift, without load backrest	h_2	115	115	115	115	115	115	115	1425	1575	1675	1835	1485	1635	1735	1835	1450	1520	1600	1700	1860	2050	1475	1545	1645	1745	1945	2095	2295	2495	2695
Free lift, with load backrest	h_2	115	115	115	115	115	115	115	745	895	995	1155	780	930	1030	1130	745	815	895	995	1155	1345	760	830	930	1030	1230	1380	1580	1780	1980	

1) Without load backrest

2) With load backrest; Height of standard load backrest is 1220 mm.

Pneumatic shaped cushion tyre			V								FV				FW				FSV						FSW							
8FBET20	Tilt range, forward	deg	5	5	5	5	5	5	5	5	5	5	5	5	5	5	5	5	5	5	5	5	5	5	5	5	5	5	5	5	5	
	Tilt range, backward	deg	7(5)	7(5)	7(5)	7(5)	7(5)	7(5)	7(5)	7(5)	7(5)	7(5)	7(5)	7(5)	7(5)	7(5)	7(5)	7(5)	7(5)	7(5)	7(5)	7(5)	7(5)	7(5)	7(5)	7(5)	7(5)	7(5)	7(5)	7(5)	7(5)	
	Load capacity at 500 mm LC	kg	2000	2000	2000	2000	2000	2000	1850	2000	2000	2000	2000	2000	2000	2000	2000	1800	1780	1750	1700	1650	1550	1800	1780	1750	1700	1650	1550	1250	1000	750

Data in () are for when "Cabin Series" is selected (minimum front windshield).



Standard equipments:

- Toyota SAS (System of Active Stability)
- Toyota AC² power system
- Toyota ORS seat (Operator Restraint System)
- Seat mounted hydraulic minilevers
- Wide visible mast (MFH:3300)
- Long forks (length:1000mm)
- Long forkbar (length: 920mm)
- 3 way valves
- Wet disc brakes
- Pneumatic shaped cushion tyres
- Full hydraulic power steering
- Digital Multifunction Display with wheel indicator
- Memory tilt steering column



TP-Technical Publications, Sweden — 745555-040, version 3, 1211