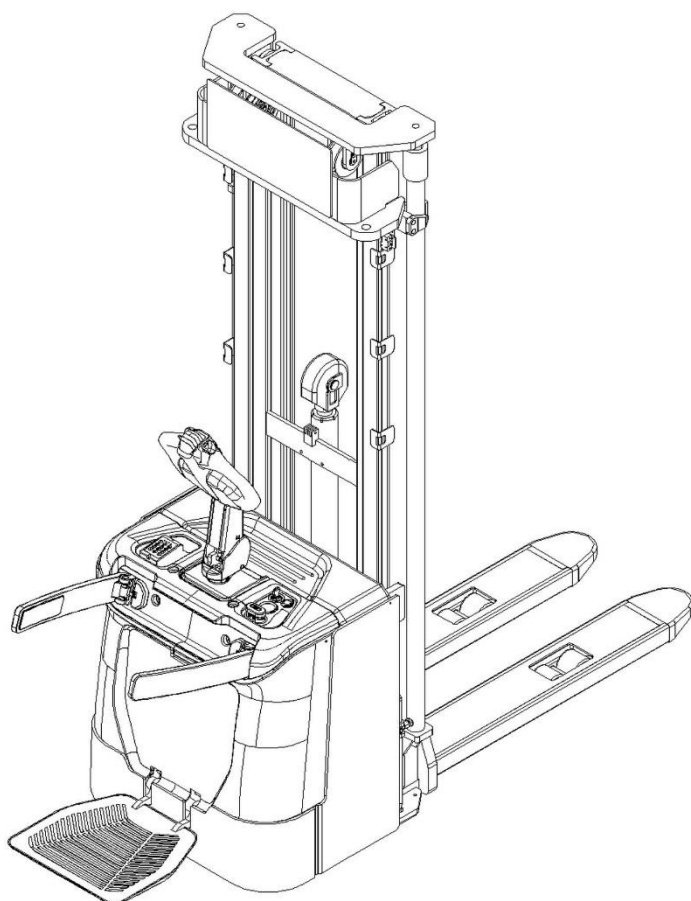


# NOBLELIFT

## SPAREPARTS LIST

### Electric Stacker PS 12N



Version 05/2018

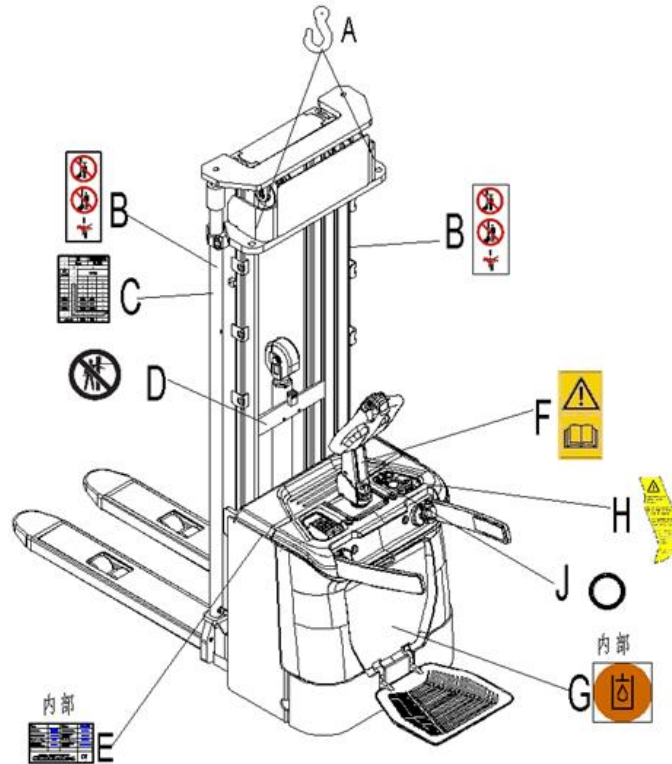
From truck identification number:

PS 12N-BPT-001-EN

# Catalogue

Fig. 1 Label (For EU).....	1
Fig. 2 Fork carriage .....	2
Fig. 3 Chassis.....	3
Fig. 4 Power supplier (external charger).....	6
Fig. 5 Power supplier (built-in charger).....	8
Fig. 6 Protective arm components .....	10
Fig. 7 Panel components.....	12
Fig. 8 Battery cover components .....	14
Fig. 9 Platform components .....	15
Fig. 10 Roller components .....	17
Fig. 11 Full free lifting two-stage mast.....	18
Fig. 12 Standard lifting two-stage mast.....	19
Fig. 13 Chain of full free lifting two-stage mast.....	20
Fig. 14 Chain of standard lifting two-stage mast.....	22
Fig. 15 Other parts of mast.....	23
Fig. 16 Full free lifting two-stage mast hydraulic system .....	25
Fig. 17 Standard lifting two-stage mast hydraulic system.....	27
Fig. 18 Full free lifting two-stage mast external cylinder components.....	29
Fig. 19 Full free lifting two-stage mast middle cylinder components .....	31
Fig. 20 Standard lifting two-stage mast external cylinder components.....	33
Fig. 21 Manual steering unit.....	35
Fig. 21 Driving assembly (Manual steering).....	37
Fig. 23 Load roller assembly .....	39
Fig. 24 Tiller assembly.....	40
Fig. 25 Hydraulic power unit.....	42
Fig. 26 Main circuit wiring harness (Manual steering) .....	43
Fig. 27 Electrical parts.....	44
Fig. 28 Electrical control components (COMBIACX) .....	46
Fig. 29 Load backrest.....	48
Easy worn parts list .....	49

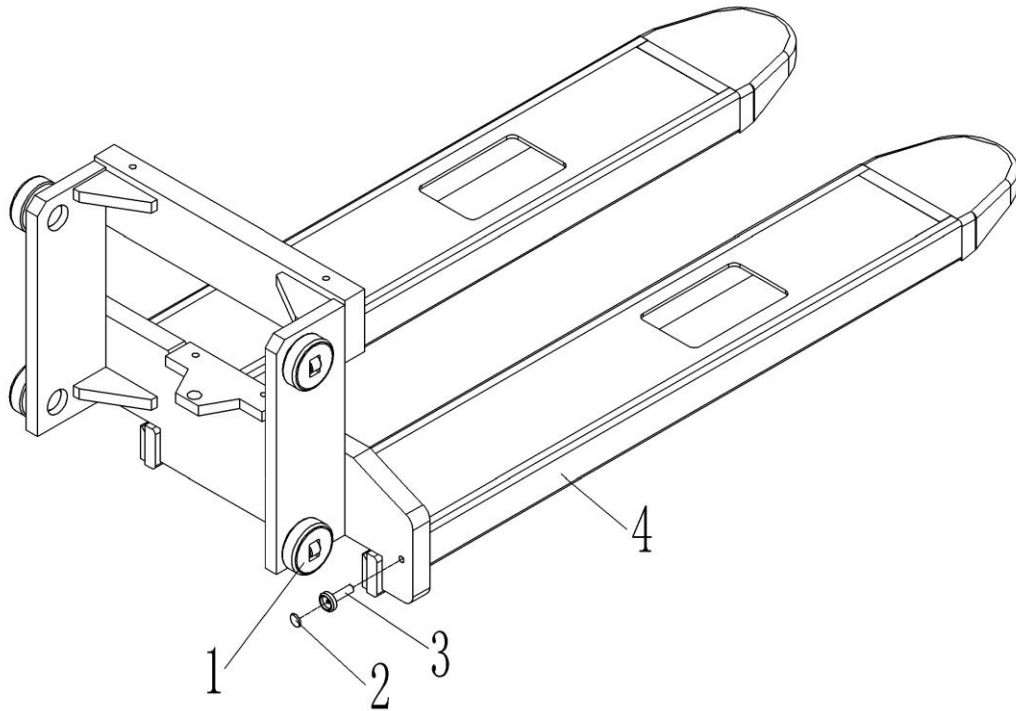
**Fig. 1 Label (For EU)**



**Fig. 1 Label (For EU)**

No.	Art No.	Description	Qty.	Note
A	941200300001	Crane hook label	2	
B	941200100004	Warning decal: Do not step under or on the forks	2	
C	535647520000	Residual lift capacity sticker	1	
D	941200100006	Never reach through	1	
E	535647520001	CE label	1	
F	941200300002	Sticker to read and follow these instructions	1	
G	941200300003	Filling sticker	1	
H	941200300018	Warning sticker	1	
J	941200400013	Indicating sticker	2	

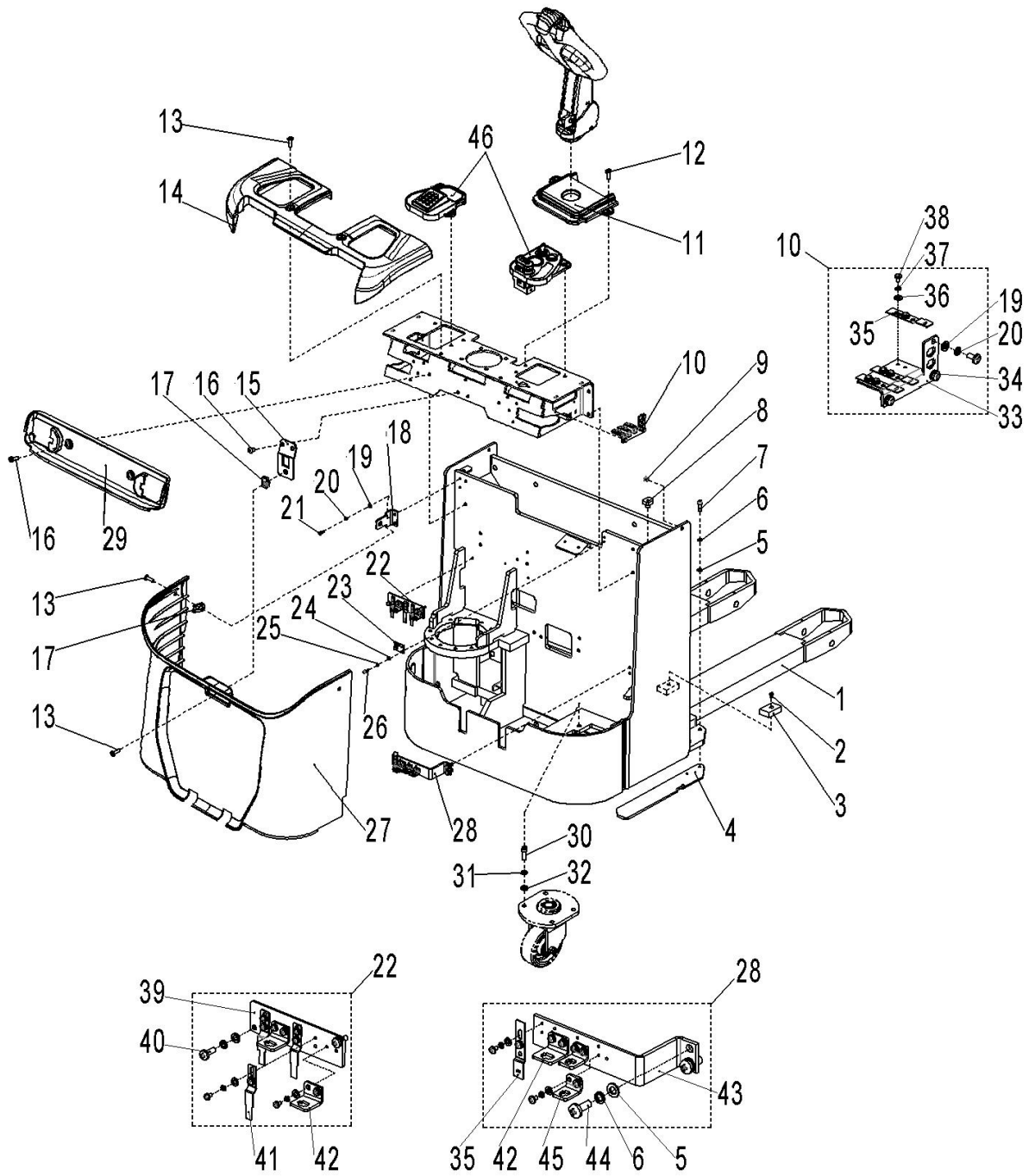
**Fig. 2 Fork carriage**



**Fig. 2 Fork Carriage**

No.	Art No.	Description	Qty.	Note
1	940200300002	Compound roller	4	
2	940600100001	Magnetic steel	1	
3	940600200001	Magnetic steel base	1	
4	534438010000	Fork carriage welding (570x1150)	1	Two-stage standard mast
	534438010001	Fork carriage welding (685x1150)	1	Two-stage standard mast
	534438010002	Fork carriage welding (570x1150)	1	Two-stage full free mast
	534438010003	Fork carriage welding (685x1150)	1	Two-stage full free mast

Fig. 3 Chassis

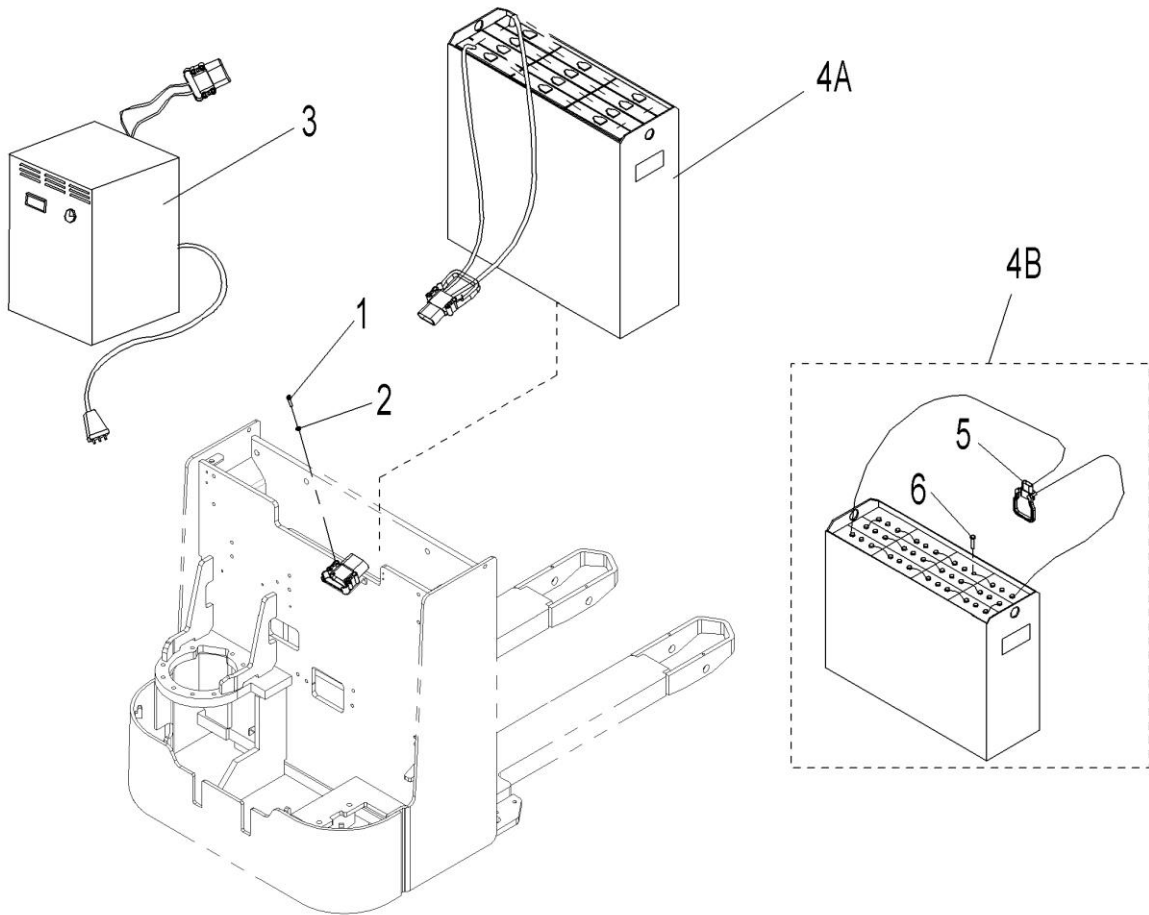


**Fig. 3 Chassis**

No.	Art No.	Description	Qty.	Note
1	535621510000	Chassis welding (570x1150)	1	Manual steering
	535621510001	Chassis welding (685x1150)	1	Manual steering
2	910200300017	Screw	2	M6x12
3	534721520024	Damping pad	2	
4	535921520030	Protective plate	1	
5	910400100006	Flat washer	3	8
6	910400500006	Spring washer	3	8
7	910200200058	Screw	3	M8x25
8	505938520016	Damping pad	2	
9	534721520023	Sleeve	2	
10	535921501003	Mounting plate components	1	
11	535921520042	Protective cover	1	
12	910200200074	Screw	2	M10x16
13	941100100004	Screw	5	M10x30
14	535921520040	Protective cover	1	
15	535921520032	Mounting plate	1	
16	941100100005	Screw	4	M10x15
17	940400400003	Nut	3	M10
18	535921520031	Mounting plate	2	
19	910400100005	Flat washer	8	6
20	910400500005	Spring washer	8	6
21	910200200035	Screw	8	M6x16
22	535921501002	Mounting plate components	1	
23	535921520029	Mounting plate	1	
24	910400100004	Flat washer	2	5
25	910400500004	Spring washer	2	5
26	910200200023	Screw	2	M5x16
27	535921520039	Protective cover	1	
28	535921501001	Mounting plate components	1	
29	535921520041	Protective cover	1	
30	910200200099	Screw	4	M12x35
31	910400500008	Spring washer	4	12
32	910400100008	Flat washer	4	12
33	535921520028	Mounting plate	1	
34	910200500051	Screw	3	M6x12
35	921300300005	Plug base, 2 pins	5	
36	910400100003	Flat washer	24	4

37	910400500003	Spring washer	24	4
38	910200500020	Screw	24	M4x6
39	535921520027	Mounting plate	1	
40	910200500052	Screw	2	M6x16
41	921300300010	Plug base	3	
42	921300300003	Plug fixing frame, 4 pins	3	
43	535921520026	Mounting plate	1	
44	910200500063	Screw	2	M8x20
45	921300300002	Plug fixing frame, 2 pins	2	
46	535910001000	Panel components	1	Built-in charger, with pin-code panel
	535910001001	Panel components		Built-in charger, without pin-code panel
	535910001002	Panel components		External charger, with pin-code panel
	535910001003	Panel components		External charger, without pin-code panel

**Fig. 4 Power supplier (external charger)**

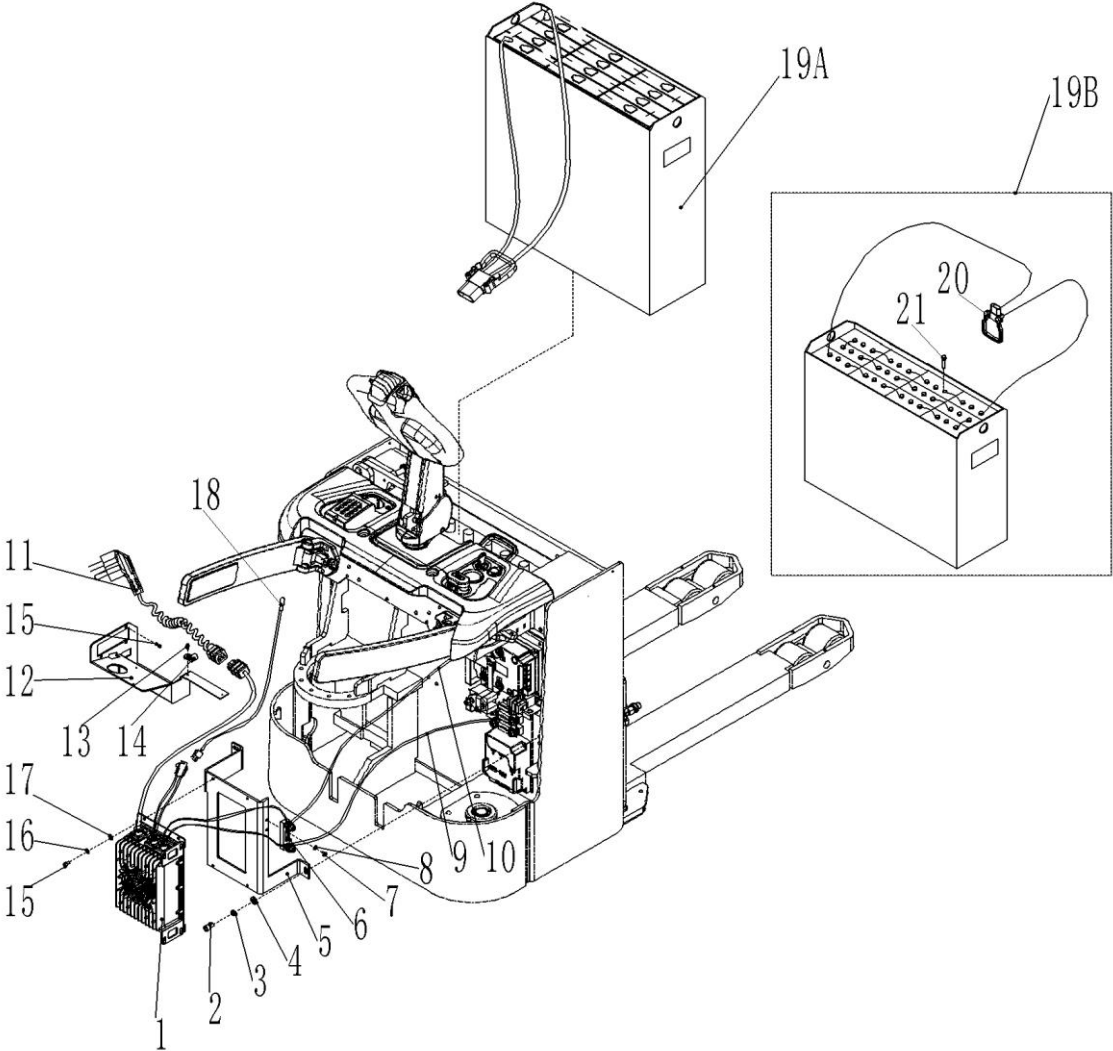




**Fig. 4 Power Supplier (external charger)**

No.	Art No.	Description	Qty.	Note
1	910200200039	Screw	2	M6x30
2	910400100005	Flat washer	2	6
3	921000200013	Charger, SN24V25A	1	Asia Chinese
	921000200014	Charger, SN24V25A	1	Asia English
	921000200015	Charger, SN24V25A	1	EU
	921000200016	Charger, SN24V25A	1	AUS
	921000200017	Charger, SN24V25A	1	ENG
	921000200018	Charger, SN24V25A	1	US
	921000200282	Charger, WT24V25A	1	Asia Chinese
	921000200288	Charger, WT24V25A	1	Asia English
	921000200292	Charger, WT24V25A	1	EU
	921000200300	Charger, WT24V25A	1	AUS
	921000200296	Charger, WT24V25A	1	ENG
	921000200304	Charger, WT24V25A	1	US
4A	534437010000	Battery, 24V180Ah	1	Weld type
4B	534437010001	Battery, 24V180Ah	1	Bolt type
5	920400100007	Plug components	1	Only for bolt type battery
6	505698520000	Screw	24	

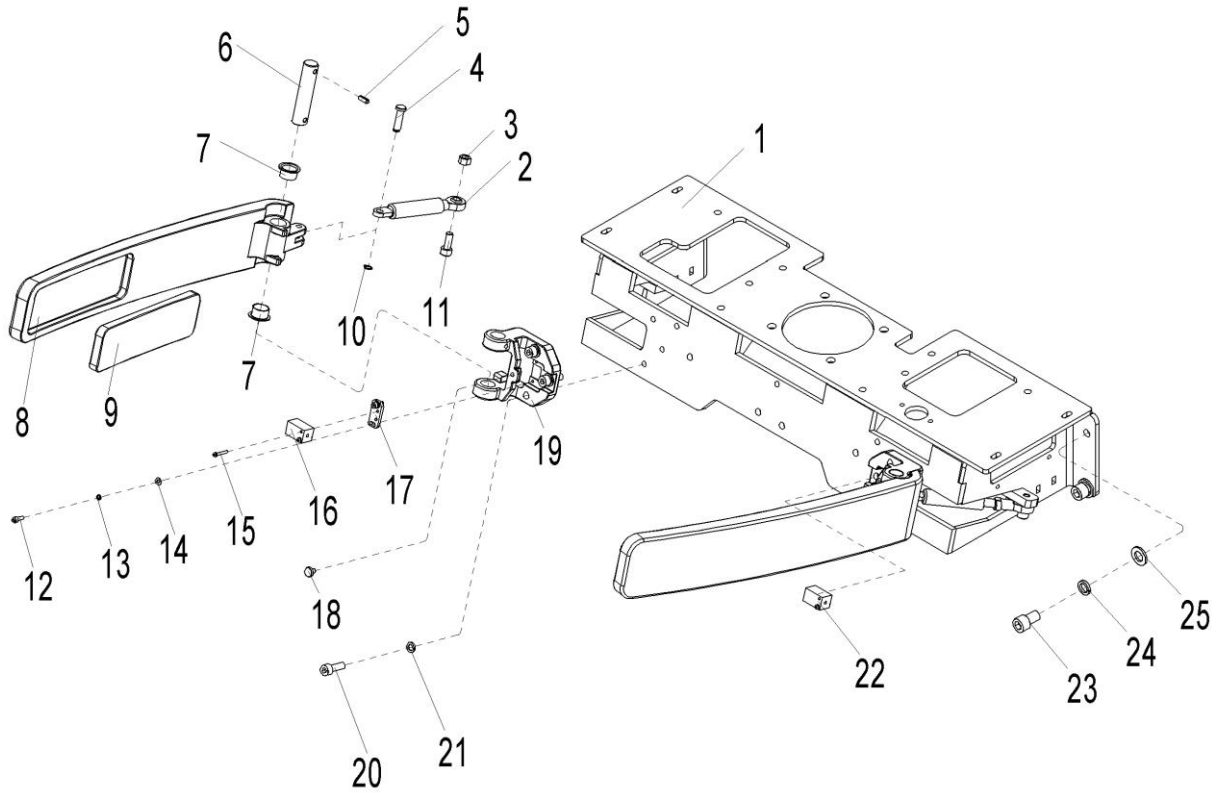
Fig. 5 Power supplier (built-in charger)



**Fig. 5 Power Supplier (built-in charger)**

No.	Art No.	Description	Qty.	Note
1	921000100034	Charge, WT24V25A	1	
2	910200200055	Screw	3	M8x16
3	910400500006	Spring washer	3	8
4	910400100006	Flat washer	3	8
5	535936520001	Mounting plate	1	
6	920100400002	Fuse base	1	SY
7	910200200016	Screw	2	M4x20
8	910400500003	Spring washer	2	4
9	535933010013	Connecting cable	1	Bc-
10	535933010012	Connecting cable	1	Bc+
11	921500200032	Spring cord	1	Asia
	921500200033	Spring cord	1	EU
	921500200034	Spring cord	1	AUS
	921500200035	Spring cord	1	ENG
	921500200031	Spring cord	1	US
12	535936510001	Charging cable baffle welding	1	
13	910200500021	Screw	2	M4x10
14	921300200001	Cable fixing part	2	UC-1
15	910200200033	Screw	7	M6x12
16	910400500005	Spring washer	4	6
17	910400100005	Flat washer	4	6
18	922000100020	Indicating light	1	
19A	534437010000	Battery, 24V180Ah	1	Weld type
19B	534437010001	Battery, 24V180Ah	1	Bolt type
20	920400100007	Plug components	1	Only for bolt type battery
21	505698520000	Screw	24	

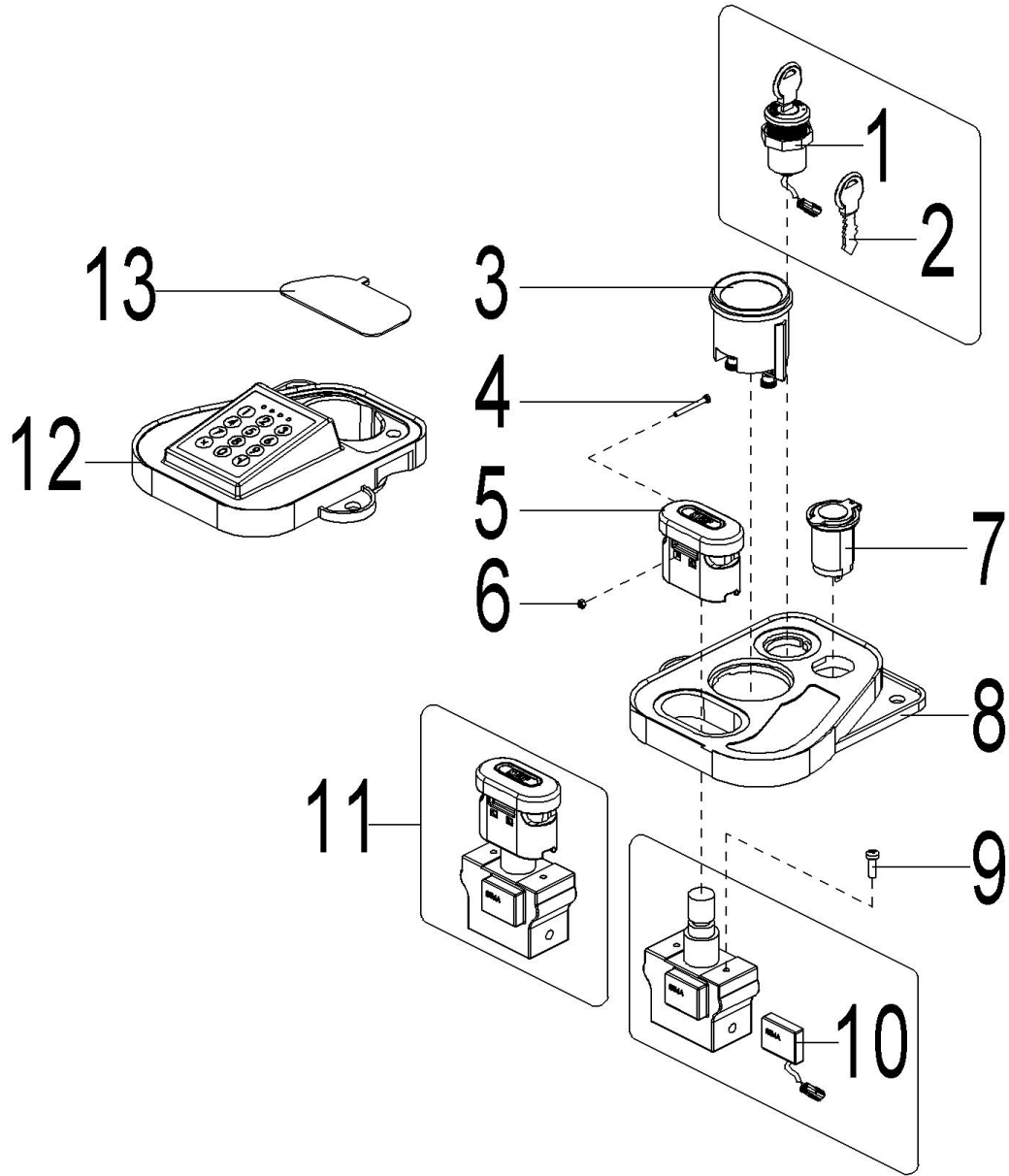
**Fig. 6 Protective arm components**



**Fig. 6 Protective Arm Components**

No.	Art No.	Description	Qty.	Note
1	535917510000	Protective mounting base welding	1	
2	940400100037	Air spring	2	250N
3	910300100006	Nut	2	M8
4	535917520010	Axle	2	
5	910600400025	Dowel pin	2	5x30
6	535917520007	Axle	2	
7	940500200003	Bushing	2	
8	535917520008	Protective arm	2	
9	535917520009	Protective pad	2	
10	910401300001	Circlip	2	8
11	910200200060	Screw	2	M8x35
12	910200200014	Screw	4	M4x12
13	910400500003	Spring washer	4	4
14	910400100003	Flat washer	4	4
15	910200500015	Screw	4	M3x20
16	505633510002	Proximity switch	2	800mm
17	535917520011	Mounting plate	2	
18	535917520012	Protective pad	2	
19	535917520006	Mounting base	2	
20	910200200058	Screw	6	M8x25
21	910400500006	Spring washer	6	8
22	535933510000	Proximity switch	1	420mm
23	910200200096	Screw	4	M12x20
24	910400500008	Spring washer	4	12
25	910400100008	Flat washer	4	12

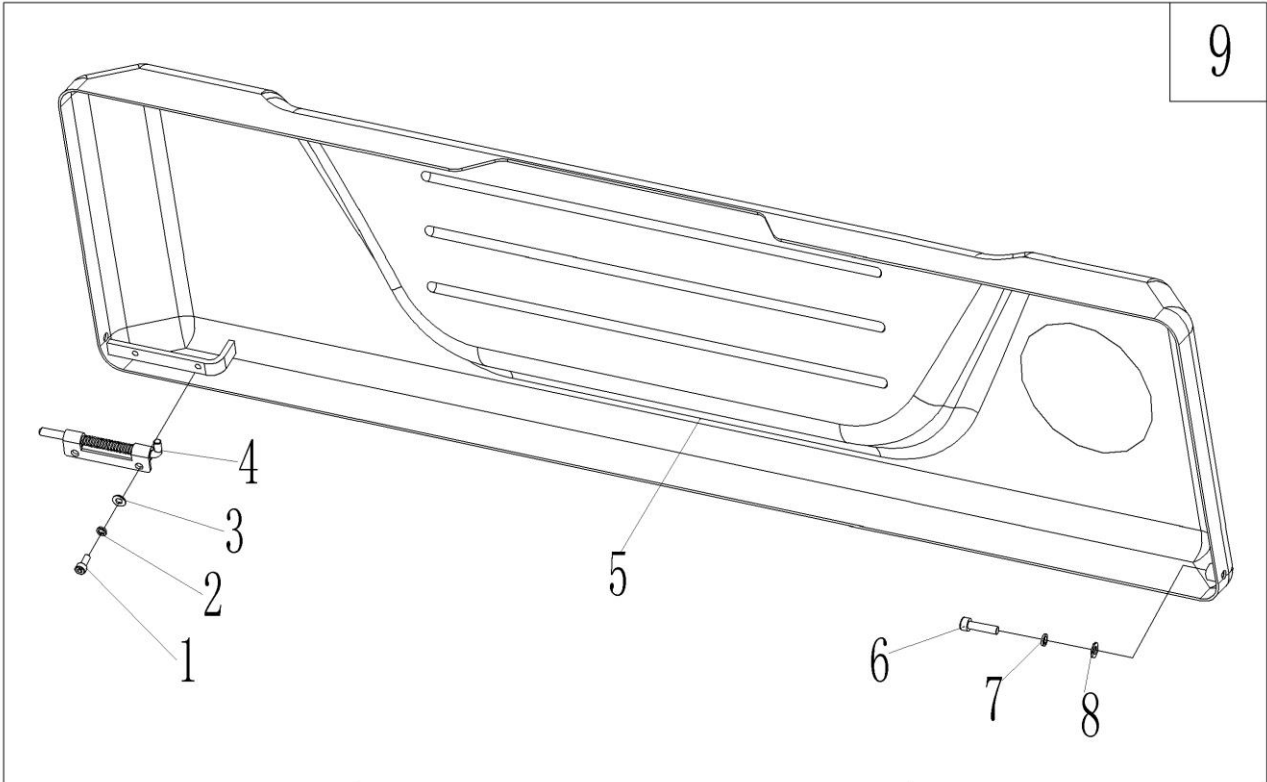
**Fig. 7 Panel components**



**Fig. 7 Panel Components**

No.	Art No.	Description	Qty.	Note
1	505634010000	Key switch	1	LKS-101A
	506734010000	Power supplier button		
2	920200200001	Key switch	1	Only for LKS-101A Key switch
3	921100100012	Panel	1	MDI-CAN-12V
4	910200500017	Screw	2	M3x30
5	920200100006	Mounting base	1	
6	910300100002	Nut	2	M3
7	206033010036	USB port	1	
8	535910020001	Panel (right)	1	
9	910200500040	Screw	2	M5x16
10	920200100011	Micro switch	1	
11	920200100007	Emergency button	1	ZDK32-350-1
12	535910020004	Panel plate (Left)	1	With pin-code panel
	535910020002	Panel plate (Left)	1	Without pin-code panel
13	535910020003	Seal plate	1	Only for external charger

**Fig. 8 Battery cover components**

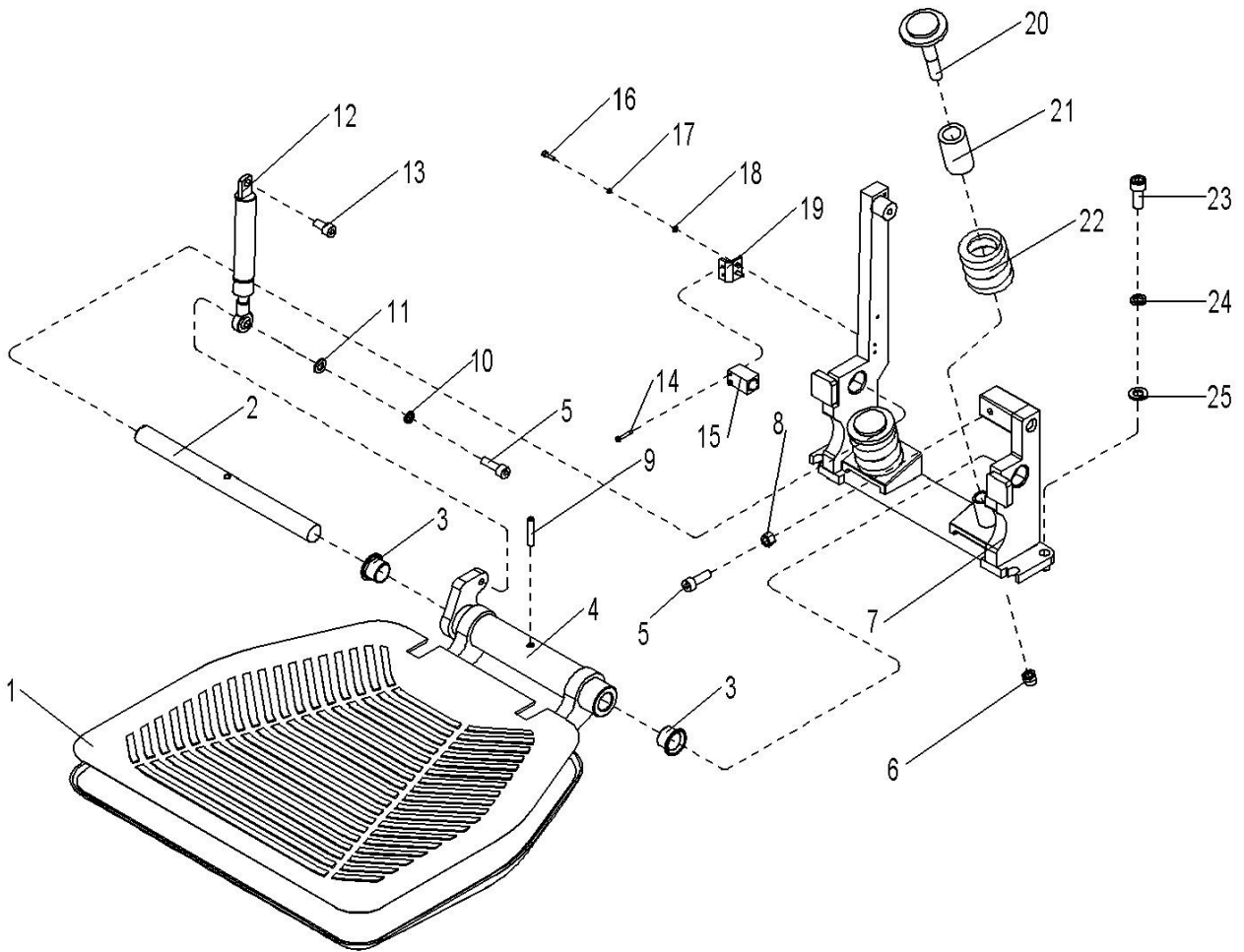


**Fig .8 Battery Cover Components**

No.	Art No.	Description	Qty.	Note
1	910200200013	Screw	2	M4x10
2	910400500003	Spring washer	2	4
3	910400100003	Flat washer	2	4
4	940800900001	Pin	1	CL037
5	535621010001	Battery cover welding	1	
6	910200200024	Screw	1	M5x20
7	910400500004	Spring washer	1	5
8	910400100004	Flat washer	1	5
9	535621001001	Battery cover assembly	1	



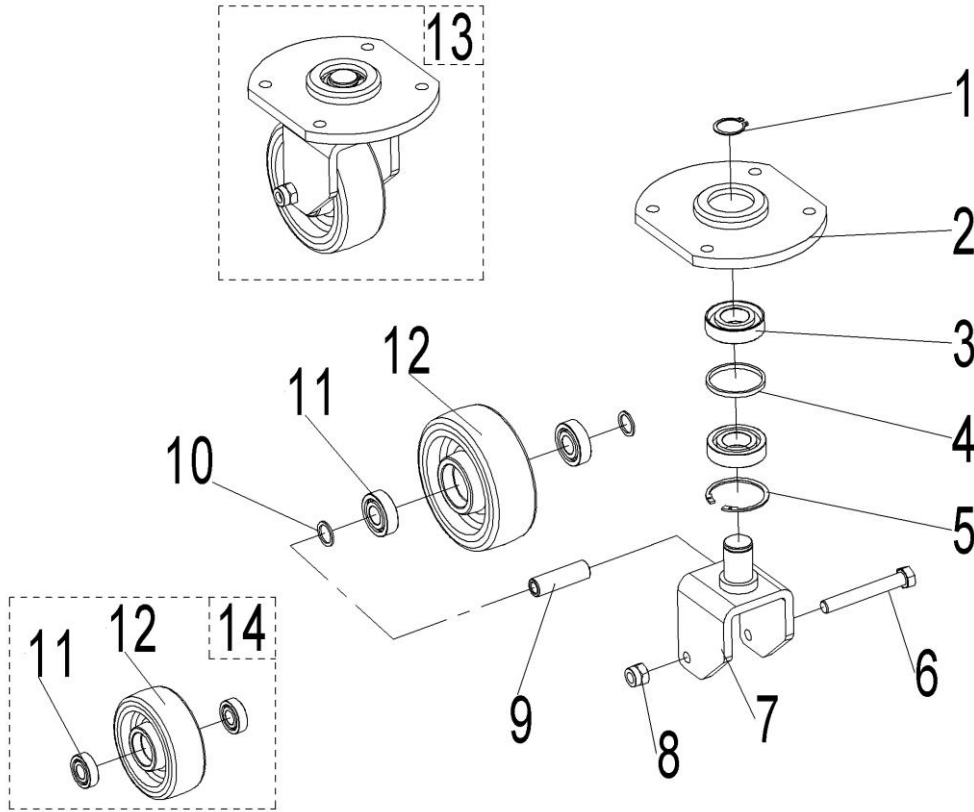
**Fig. 9 Platform components**



**Fig. 9 Platform Components**

No.	Art No.	Description	Qty.	Note
1	535918020019	Platform rubber pad	1	
2	535918020014	Axle	1	
3	940500200008	Bushing	2	
4	535918010001	Platform welding	1	
5	910200200058	Screw	2	M8x25
6	910300500006	Nut	2	M12
7	535918010000	Mounting base welding	1	
8	910300100007	Nut	1	M10
9	910600400040	Dowel pin	1	6x35
10	910400500006	Spring washer	1	8
11	910400100006	Flat washer	1	8
12	940400100038	Air spring	1	800N
13	910200200057	Screw	1	M8x20
14	910200500015	Screw	2	M3x20
15	505633510002	Proximity switch	1	800mm
16	910200200003	Screw	2	M3x12
17	910400500002	Spring washer	2	3
18	910400100002	Flat washer	2	3
19	535918020015	Mounting plate	1	
20	535918020017	Bolt	2	M12x72
21	535918020018	PU bushing	2	
22	535918020016	Spring	2	
23	910200200076	Screw	2	M10x25
24	910400500007	Spring washer	2	10
25	910400100007	Flat washer	2	10

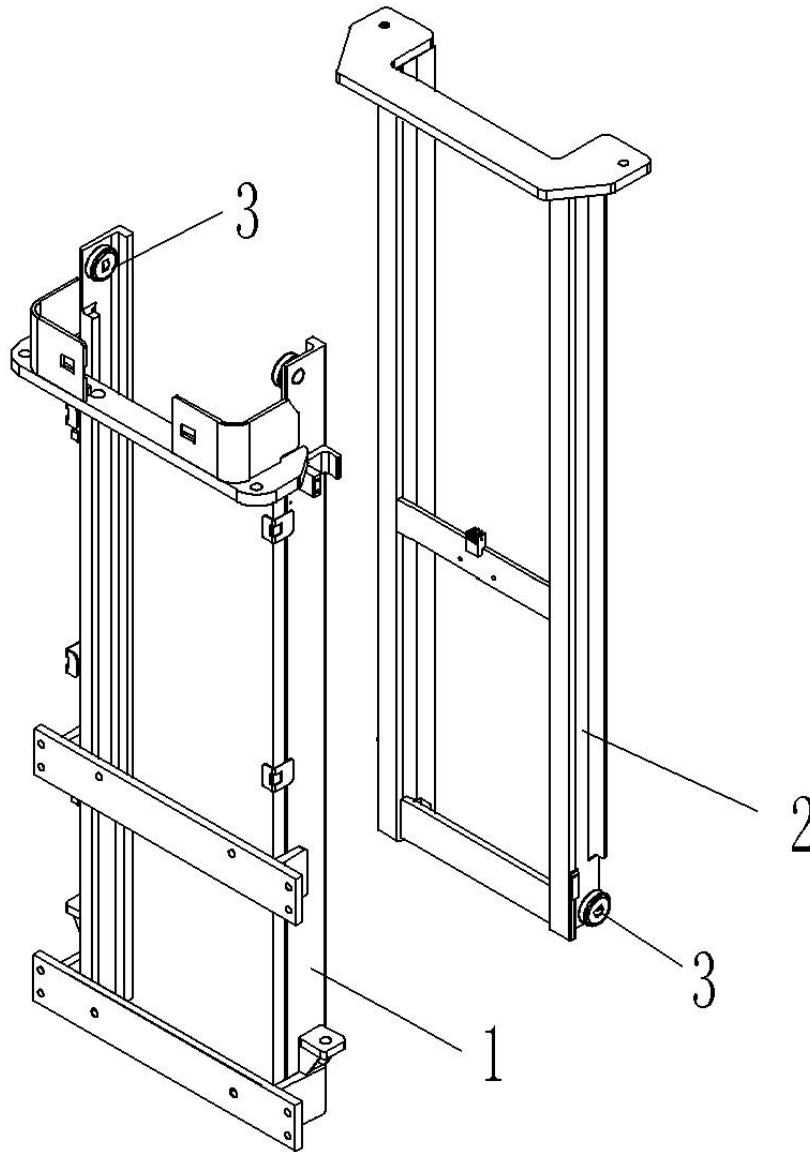
**Fig. 10 Roller components**



**Fig. 10 Roller Components**

No.	Art No.	Description	Qty.	Note
1	910401300016	Circlip	1	30
2	534716510000	Bearing base welding	1	
3	910700400004	Bearing	2	7206C
4	532616520001	Circlip	1	
5	910401400018	Circlip	1	62
6	910100100069	Bolt	1	M14x100
7	534716510001	Rear roller frame welding	1	
8	910300500007	Nut	1	M14
9	532616520003	Bushing	1	
10	940600500014	Washer	2	
11	910700200019	Bearing	2	6204
12	940300300020	Roller	1	
13	534716510002	Roller assembly	1	
14	533298510003	Roller set	1	

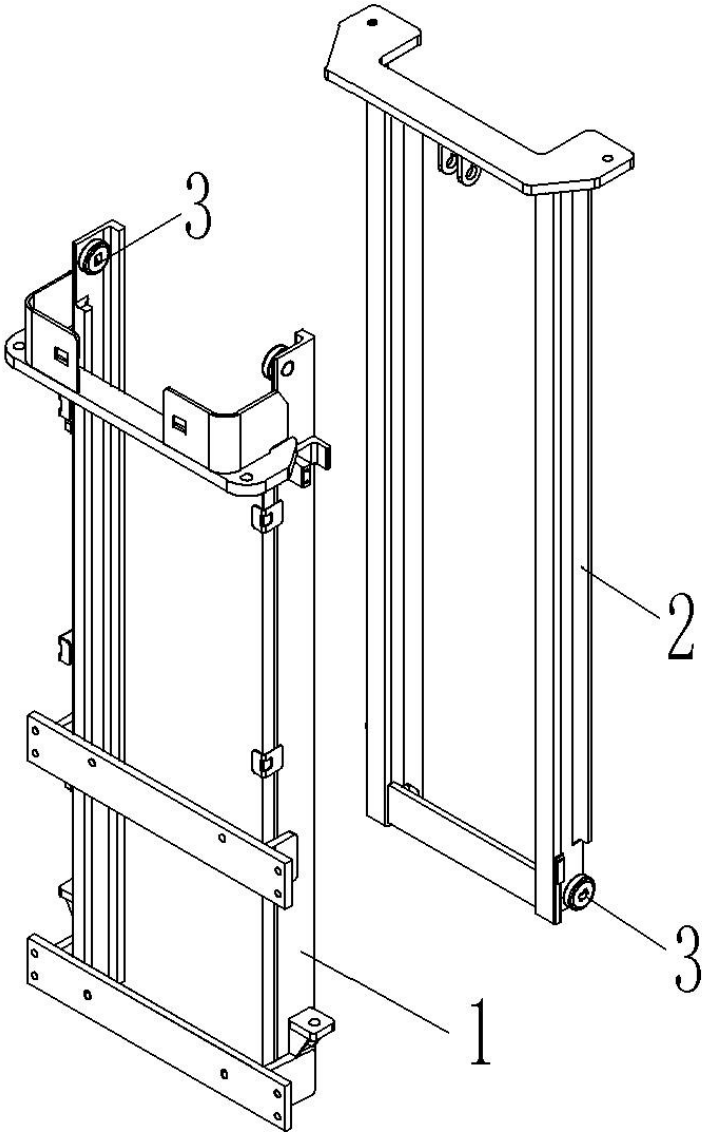
**Fig. 11 Full free lifting two-stage mast**



**Fig. 11 Full Free Lifting Two Stage Mast**

No.	Art No.	Description	Qty.	Note
1	534443510000	Outer mast	1	3600
	534443510002	Outer mast	1	3200
	534443510004	Outer mast	1	2900
2	534443510001	Inner mast	1	3600
	534443510003	Inner mast	1	3200
	534443510005	Inner mast	1	2900
3	940200300001	Compound roller	4	

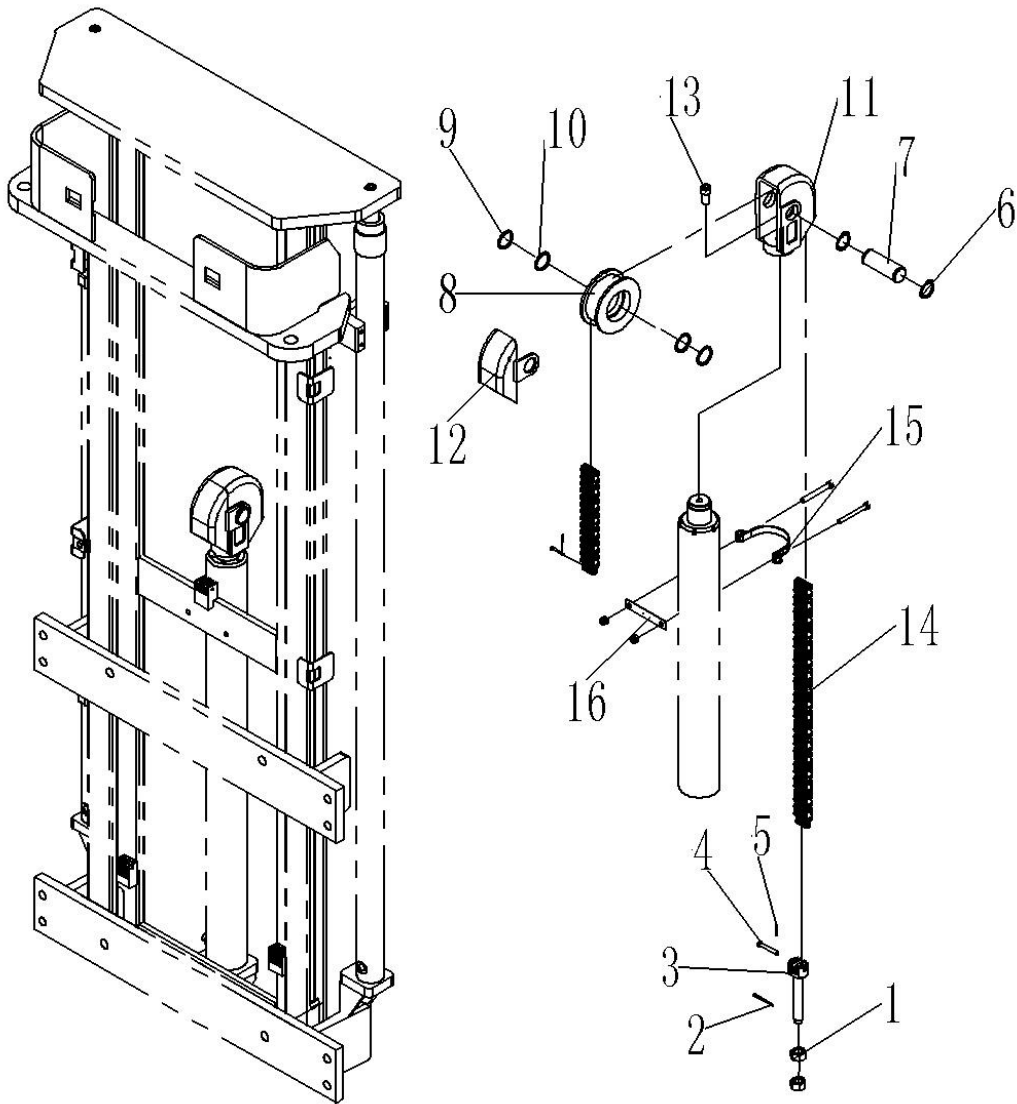
**Fig. 12 Standard lifting two-stage mast**



**Fig. 12 Standard Lifting Two Stage Mast**

No.	Art No.	Description	Qty.	Note
1	534444010009	Outer mast	1	3600
	534444010011	Outer mast	1	3200
	534444010013	Outer mast	1	2900
2	534444010010	Inner mast	1	3600
	534444010012	Inner mast	1	3200
	534444010014	Inner mast	1	2900
3	940200300001	Compound roller	4	

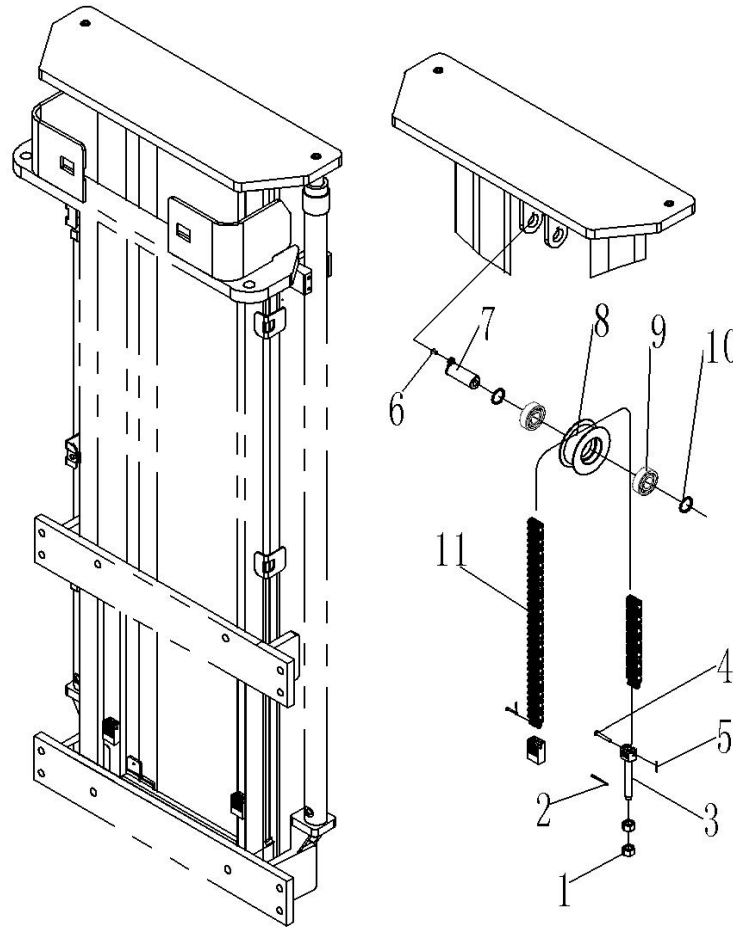
Fig. 13 Chain of full free lifting two-stage mast



**Fig. 13 Chain of Full Free Lifting Two Stage Mast**

No.	Art No.	Description	Qty.	Note
1	910300200008	Nut	2	M16x1.5
2	910600600032	Split pin	2	3.2x40
3	941300100008	Chain bolt	1	
4	941100800006	Short axle	2	B6x45
5	910600600015	Split pin	2	2x20
6	532644520037	Circlip	1	30
7	910401300016	Pulley axle	2	
8	940200500010	Chain pulley	1	
9	940600500008	Washer	2	thickness 2
10	940600500009	Washer	2	thickness 4
11	532644520035	Pulley base	1	
12	532644520036	Side cover	1	
13	910200200097	Screw	1	M12x25
14	532644510079	Chain, LH1066-89	1	3600
	534744510024	Chain, LH1066-83	1	3200
	251044510096	Chain, LH1066-77	1	2900
15	940800600002	Hoop components	1	Centre distance 96
16	534744520014	Pad	1	

**Fig. 14 Chain of standard lifting two-stage mast**

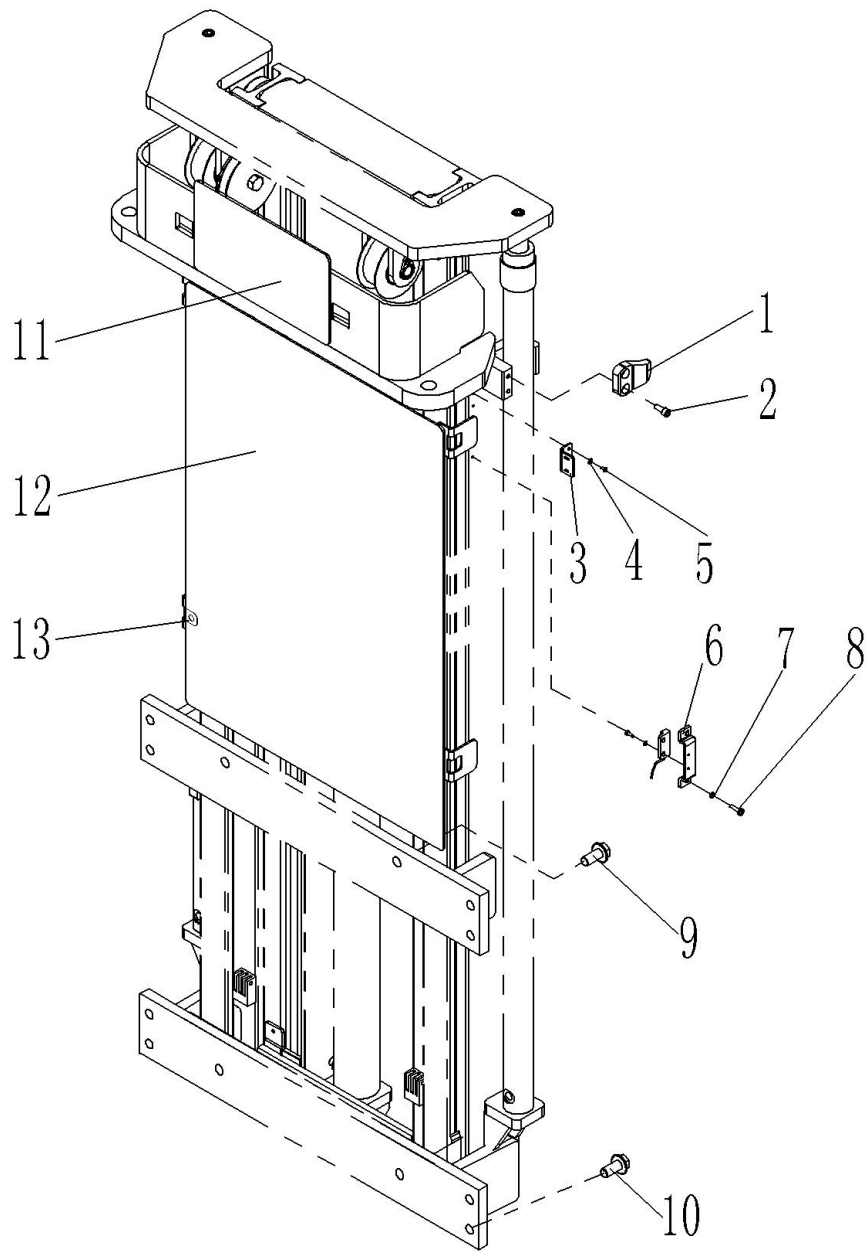


**Fig. 14 Chain of Standard Lifting Two Stage Mast**

No.	Art No.	Description	Qty.	Note
1	910300200008	Nut	4	M16x1.5
2	910600600032	Split pin	2	3.2x40
3	941300100007	Chain Bolt	2	
4	941100800005	Short axle	2	B6x35
5	910600600015	Split pin	2	2x20
6	910200400016	Screw	1	M6x12
7	533544510006	Axle with plate	1	
8	940200400006	Pulley	1	
9	910700200021	Bearing	2	6206
10	940600500008	Washer	2	
11	534444010025	Chain, LH1046-139	1	3600
	534444010026	Chain, LH1046-127	1	3200
	534444010024	Chain, LH1046-117	1	2900



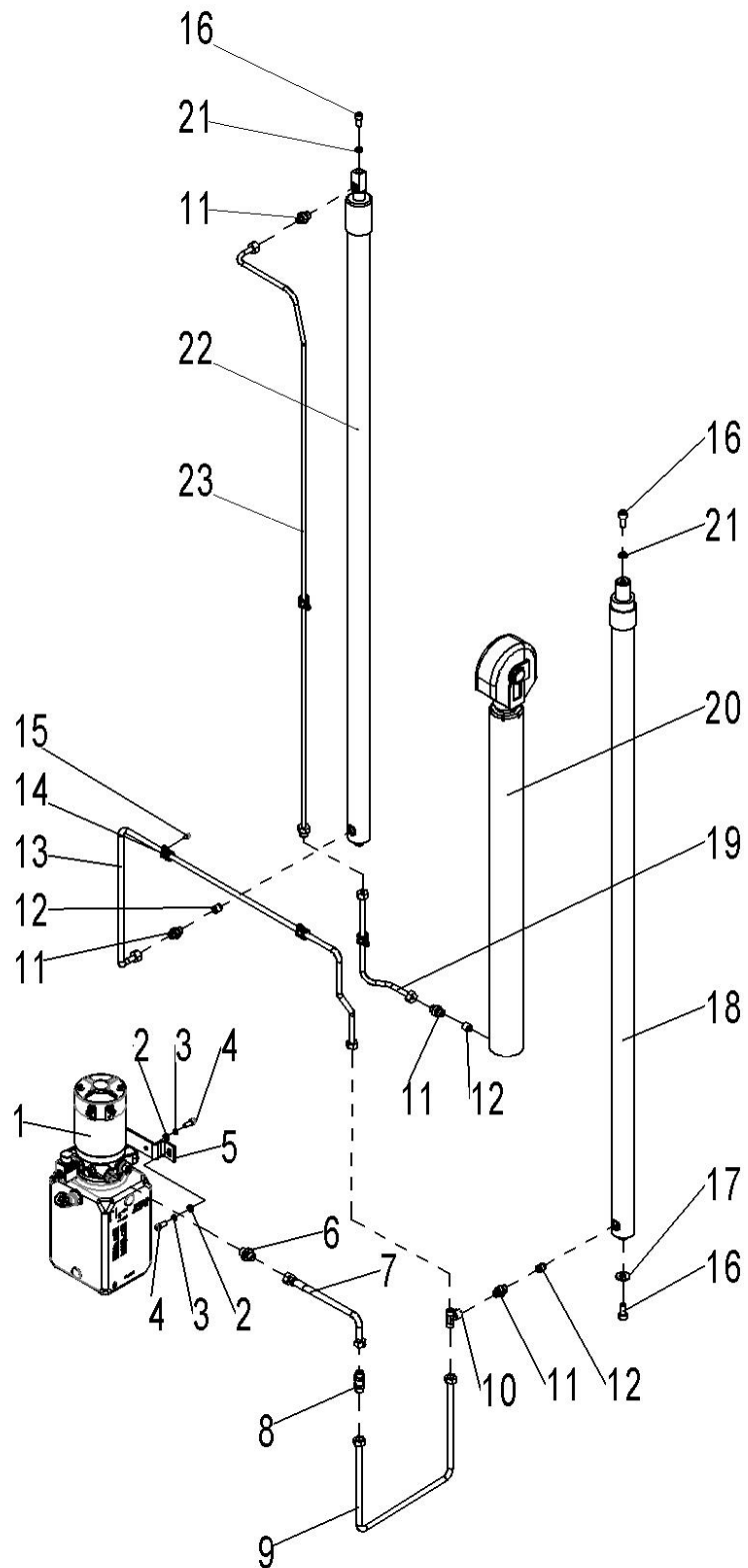
Fig. 15 Other parts of mast



**Fig. 15 Other Parts of Mast**

No.	Art No.	Description	Qty.	Note
1	275044020076	Plate	2	
2	910200200057	Screw	4	M8x20
3	534744520036	Fixing plate	1	
4	910400100003	Flat washer	2	4
5	910200300005	Screw	2	M4x8
6	534744520059	Protective cover	2	
7	910400500003	Spring washer	4	4
8	910200200014	Screw	4	M4x12
9	910100800005	Bolt	4	M16x35
10	910100800006	Bolt	8	M16x40
11	534744520037	Protective plate	1	
12	534744020006	Protective plate	1	3600
	534744520038	Protective plate	1	3200
	534744020011	Protective plate	1	2900
13	940400300001	Clip	6 or 8	

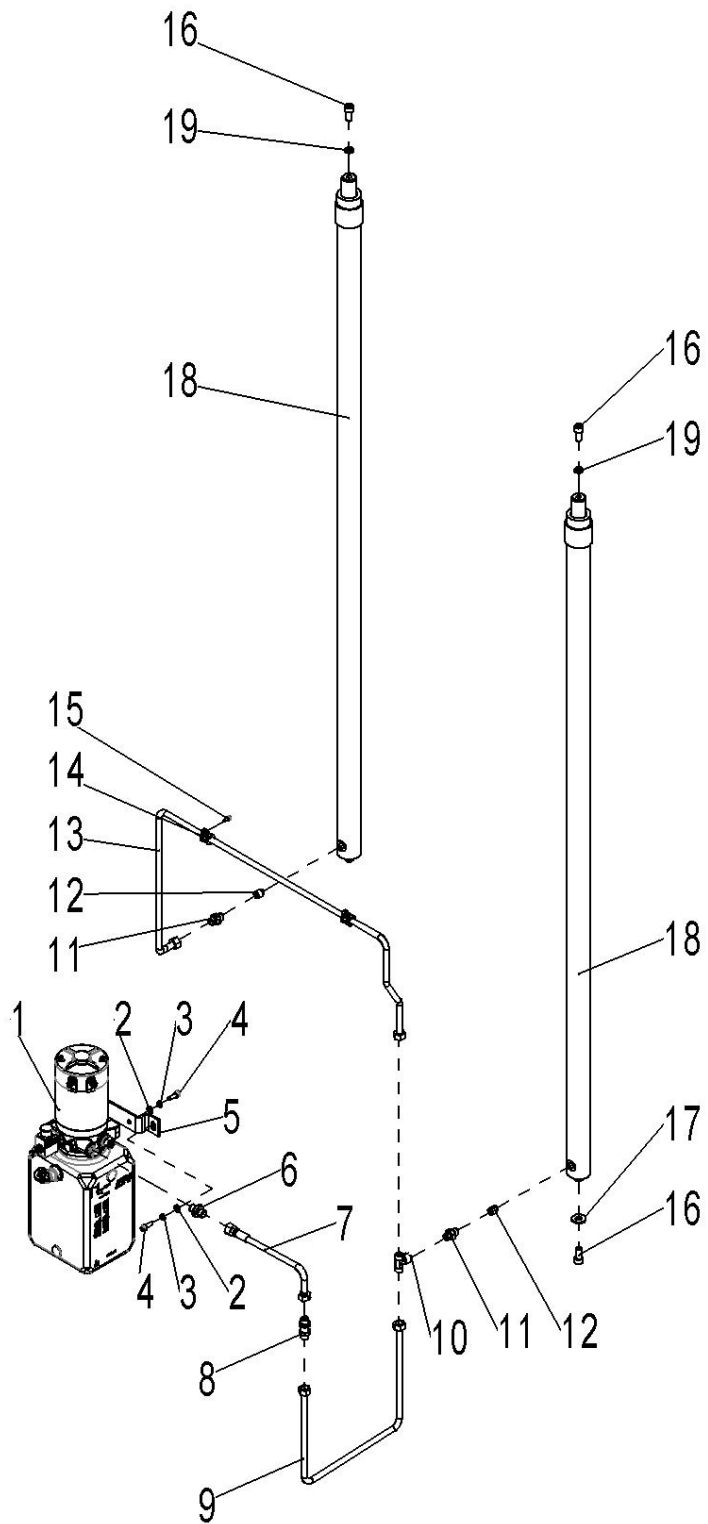
Fig. 16 Full free lifting two-stage mast hydraulic system



**Fig. 16 Full Free Lifting Two Stage Mast Hydraulic System**

No.	Art No.	Description	Qty.	Note
1	950900100014	Hydraulic power unit	1	24V1.5KW2.0cc
2	910400100006	Flat washer	4	8
3	910400500006	Spring washer	4	8
4	910200200057	Screw	4	M8x20
5	534424020000	Mounting plate	1	
6	950400300007	Joint (Straight)	1	
7	201027520002	Hydraulic pipe assembly (90°)	1	
8	950400500001	Joint (Straight)	1	
9	535624010001	Hydraulic pipe	1	
10	950400900002	Joint (Steering T)	1	
11	950400400003	Joint (Straight)	3	
12	950600300001	Safety valve	2	
13	535624010002	Hydraulic pipe	1	
14	951000100001	Rubber clip, YGE	4	12
15	910200200032	Screw	4	M6x10
16	910200200097	Screw	4	M12x25
17	534744520015	Pad	2	
18	534444010021	Cylinder (R)	1	3600
	534444010022	Cylinder (R)	1	3200
	534444010023	Cylinder (R)	1	2900
19	534743510018	Hydraulic pipe	1	
20	534444010018	Cylinder (M)	1	3600
	534444010019	Cylinder (M)	1	3200
	534444010020	Cylinder (M)	1	2900
21	910400500008	Spring washer	2	12
22	534444010015	Cylinder (L)	1	3600
	534444010016	Cylinder (L)	1	3200
	534444010017	Cylinder (L)	1	2900
23	534443520001	Hydraulic pipe	1	3600
	534743510016	Hydraulic pipe	1	3200
	534743510017	Hydraulic pipe	1	2900

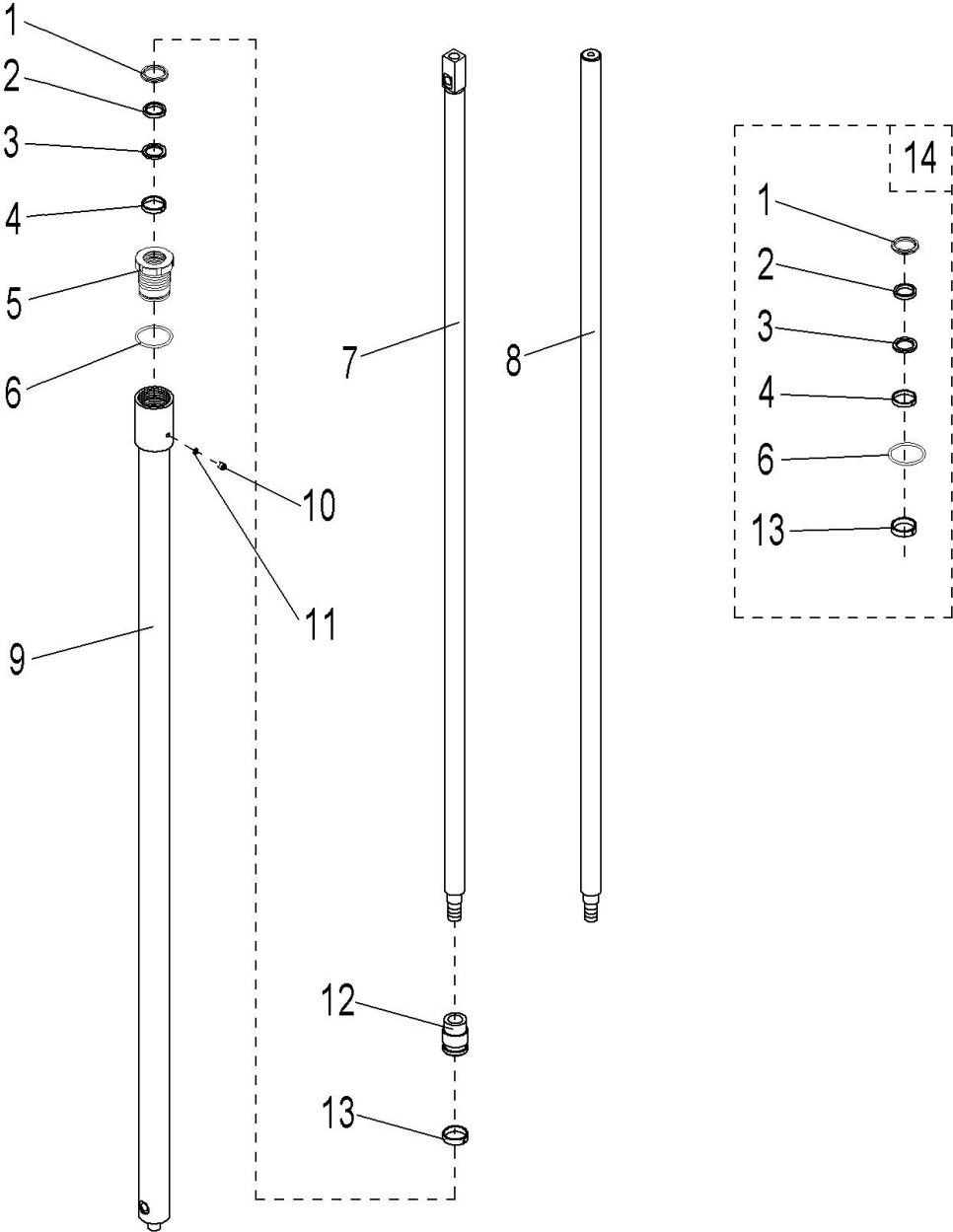
Fig. 17 Standard lifting two-stage mast hydraulic system



**Fig. 17 Standard Lifting Two-stage Mast Hydraulic System**

No.	Art No.	Description	Qty.	Note
1	950900100014	Hydraulic power unit	1	24V1.5KW2.0cc
2	910400100006	Flat washer	4	8
3	910400500006	Spring washer	4	8
4	910200200057	Screw	4	M8x20
5	534424020000	Mounting plate	1	
6	950400300007	Joint (Straight)	1	
7	201027520002	Hydraulic pipe assembly (90°)	1	
8	950400500001	Joint (Straight)	1	
9	535624010001	Hydraulic pipe	1	
10	950400900002	Joint (Steering T)	1	
11	950400400003	Joint (Straight)	3	
12	950600300001	Safety valve	2	
13	535624010002	Hydraulic pipe	1	
14	951000100001	Rubber clip, YGE	2	12
15	910200200032	Screw	2	M6x10
16	910200200097	Screw	4	M12x25
17	534744520015	Pad	2	
18	534444010006	Cylinder	2	3600
	534444010007	Cylinder	2	3200
	534444010008	Cylinder	2	2900
19	910400500008	Spring washer	2	12

Fig. 18 Full free lifting two-stage mast external cylinder components

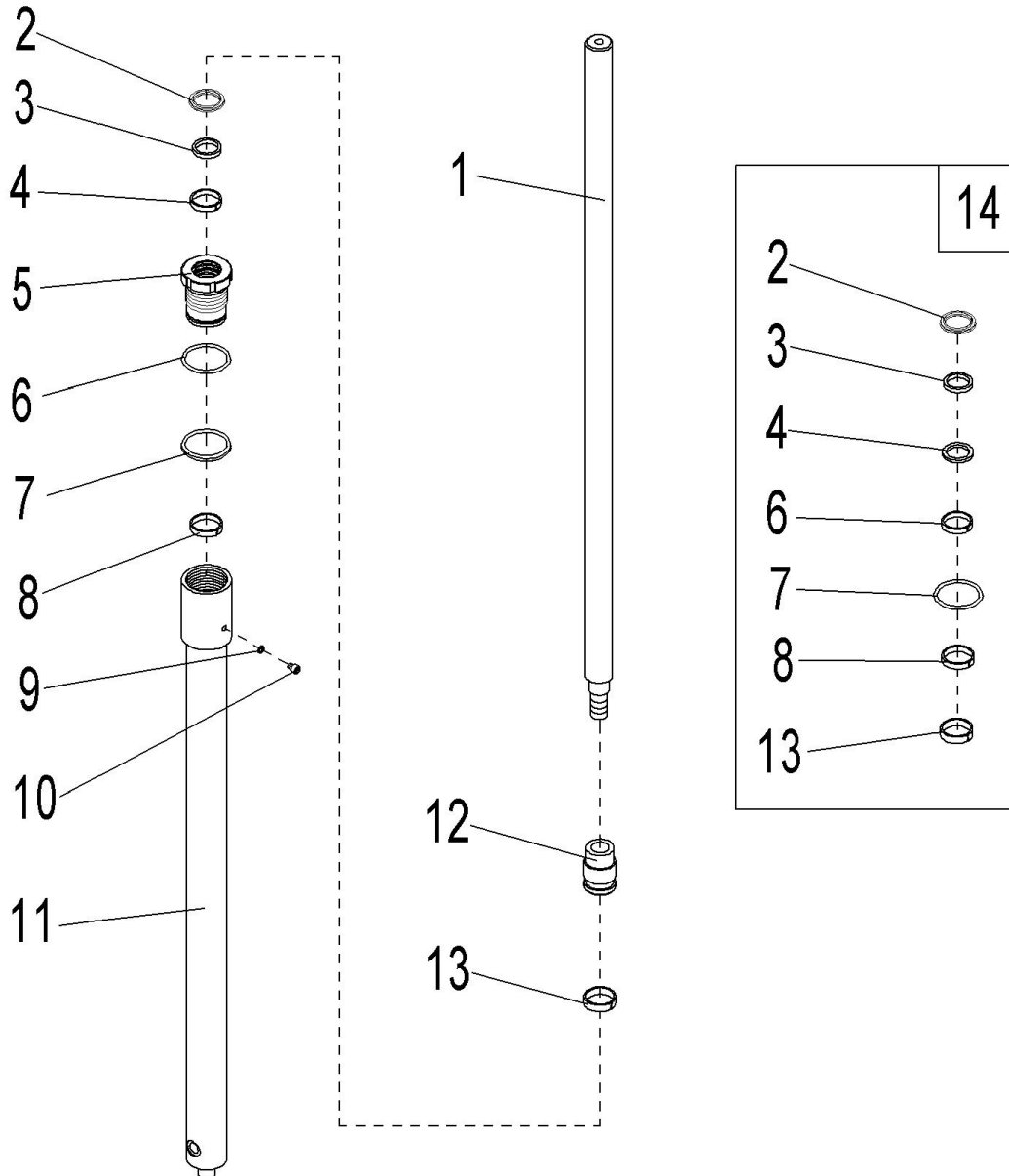


**Fig. 18 Full Free Lifting Two-stage Mast External Cylinder Components**

No.	Art No.	Description	Qty.	Note
1	534498520000	Dust ring	1	
2	534498520001	Sealing ring	1	
3	534498520002	Sealing part	1	
4	534498520003	Support ring	1	
5	534498520004	Cylinder cap	1	
6	910800100093	O Ring	1	
7	534498520006	Piston rod	1	3600 Left Cylinder
	534498520007	Piston rod	1	3200 Left Cylinder
	534498520008	Piston rod	1	2900 Left Cylinder
8	534498520009	Piston rod	1	3600 Right Cylinder
	534498520010	Piston rod	1	3200 Right Cylinder
	534498520011	Piston rod	1	2900 Right Cylinder
9	534498520012	Cylinder tube	1	3600
	534498520013	Cylinder tube	1	3200
	534498520014	Cylinder tube	1	2900
10	910800900010	Washer	1	8
11	910200200051	Screw	1	M8x10
12	534498520015	Piston	1	
13	533298520004	Support ring	1	
14	534498510000	Sealing components	1	



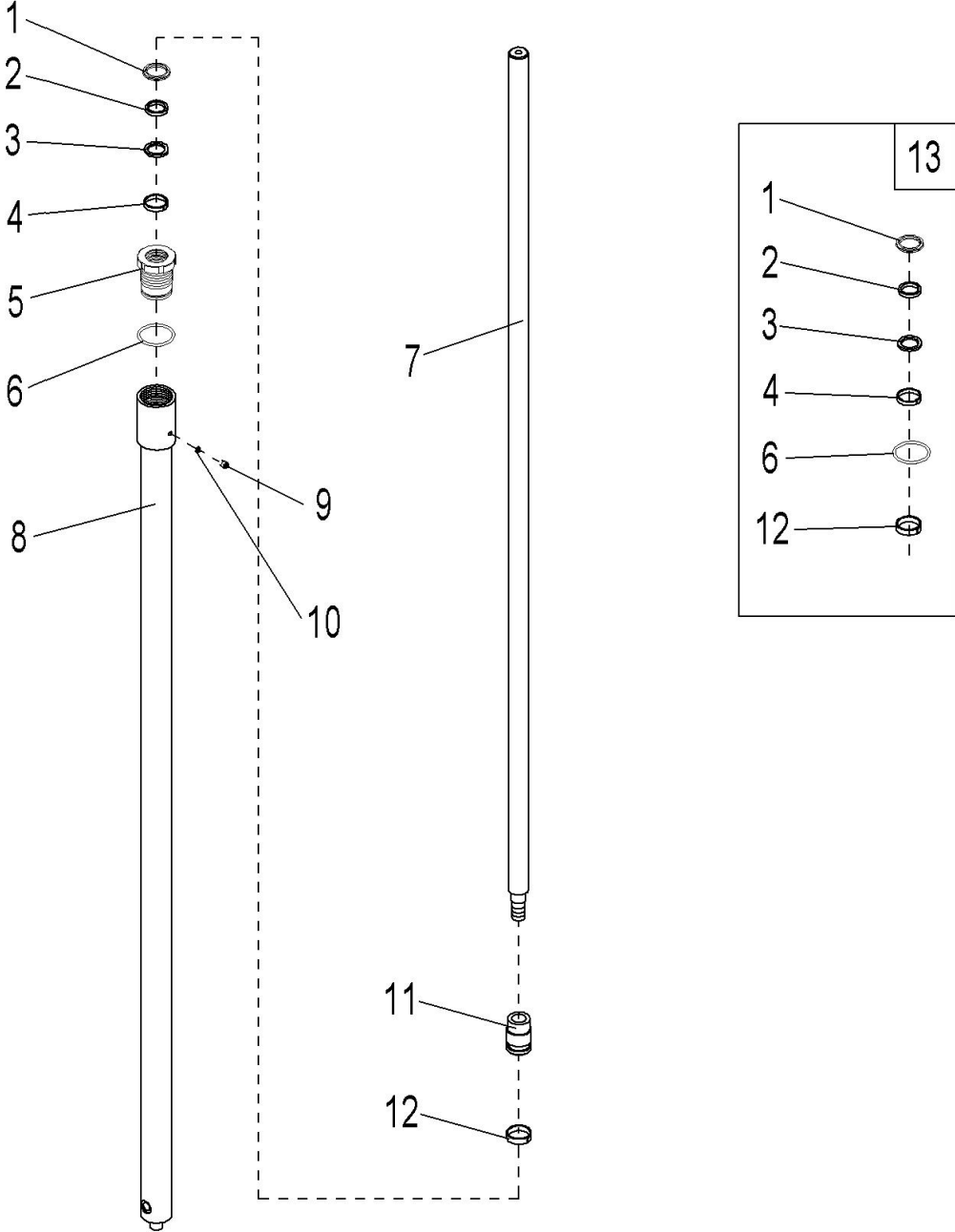
Fig. 19 Full free lifting two-stage mast middle cylinder components



**Fig. 19 Full Free Lifting Two-stage Mast Middle Cylinder Components**

No.	Art No.	Description	Qty.	Note
1	534498520016	Piston rod	1	3600
	534498520017	Piston rod	1	3200
	534498520018	Piston rod	1	2900
2	504498520000	Dust ring	1	
3	534498520019	Ring	1	
4	504498520001	Sealing ring	1	
5	534498520020	End cap	1	
6	534498520021	O Ring	1	
7	534498520022	Ring	1	
8	534498520023	Support ring	1	
9	910800900010	Washer	1	8
10	910200200051	Screw	1	M8x10
11	534798520068	Cylinder tube	1	3600
	534798520069	Cylinder tube	1	3200
	534798520070	Cylinder tube	1	2900
12	534798520071	Piston	1	
13	534798520055	Support ring	1	
14	534498510001	Sealing components	1	

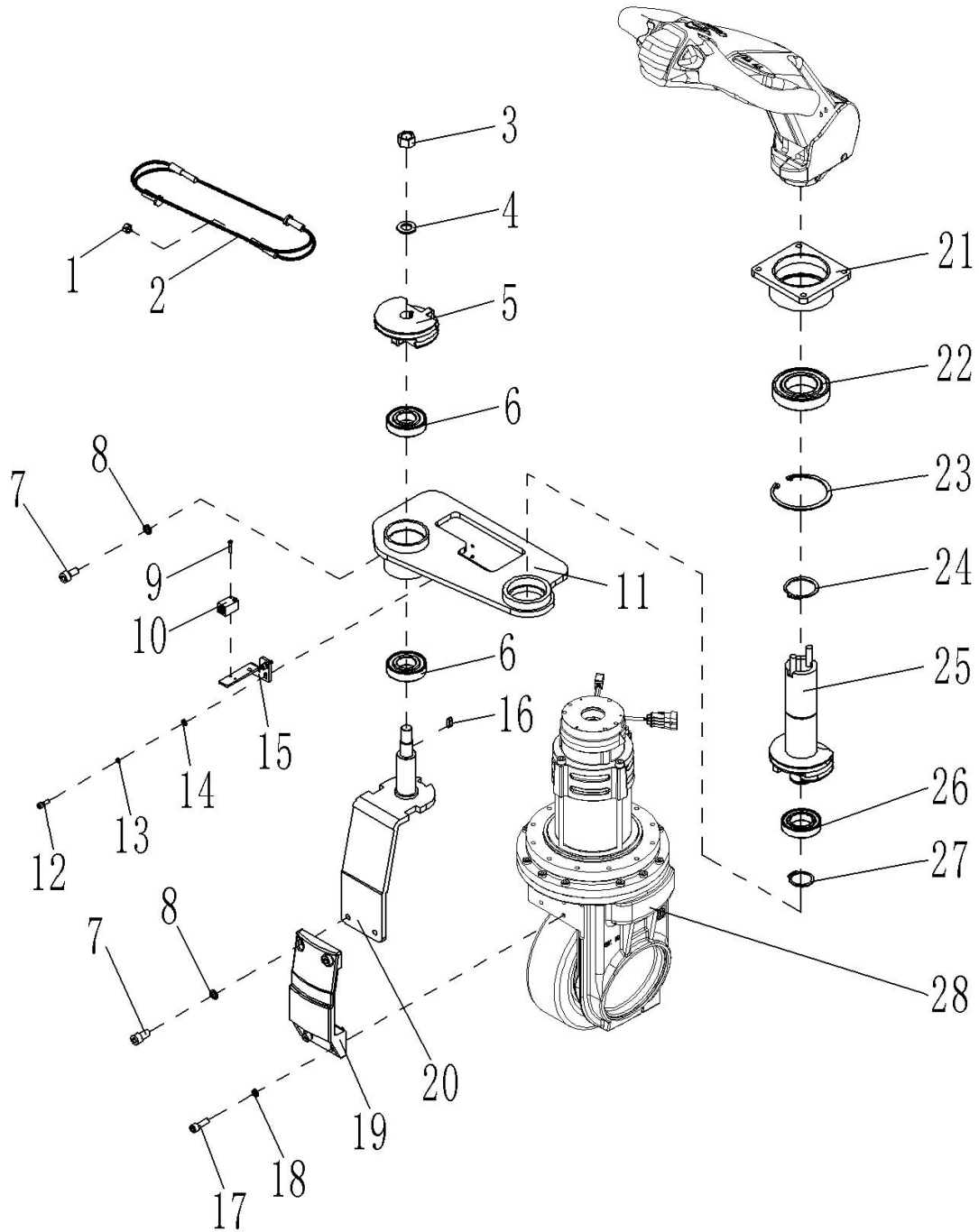
Fig. 20 Standard lifting two-stage mast external cylinder components



**Fig. 20 Standard Lifting Two-stage Mast External Cylinder Components**

No.	Art No.	Description	Qty.	Note
1	534498520026	Dust ring	1	
2	534498520027	Sealing ring	1	
3	534498520028	Sealing part	1	
4	534498520029	Support ring	1	
5	534498520030	Cylinder cap	1	
6	910800100093	O Ring	1	
7	534498520031	Piston rod	1	3600
	534498520032	Piston rod	1	3200
	534498520033	Piston rod	1	2900
8	534498520034	Cylinder tube	1	3600
	534498520035	Cylinder tube	1	3200
	534498520036	Cylinder tube	1	2900
9	910200200051	Screw	1	M8x10
10	910800900010	Washer	1	8
11	534498520037	Piston	1	
12	533298520004	Support ring	1	
13	534498510002	Sealing components	1	

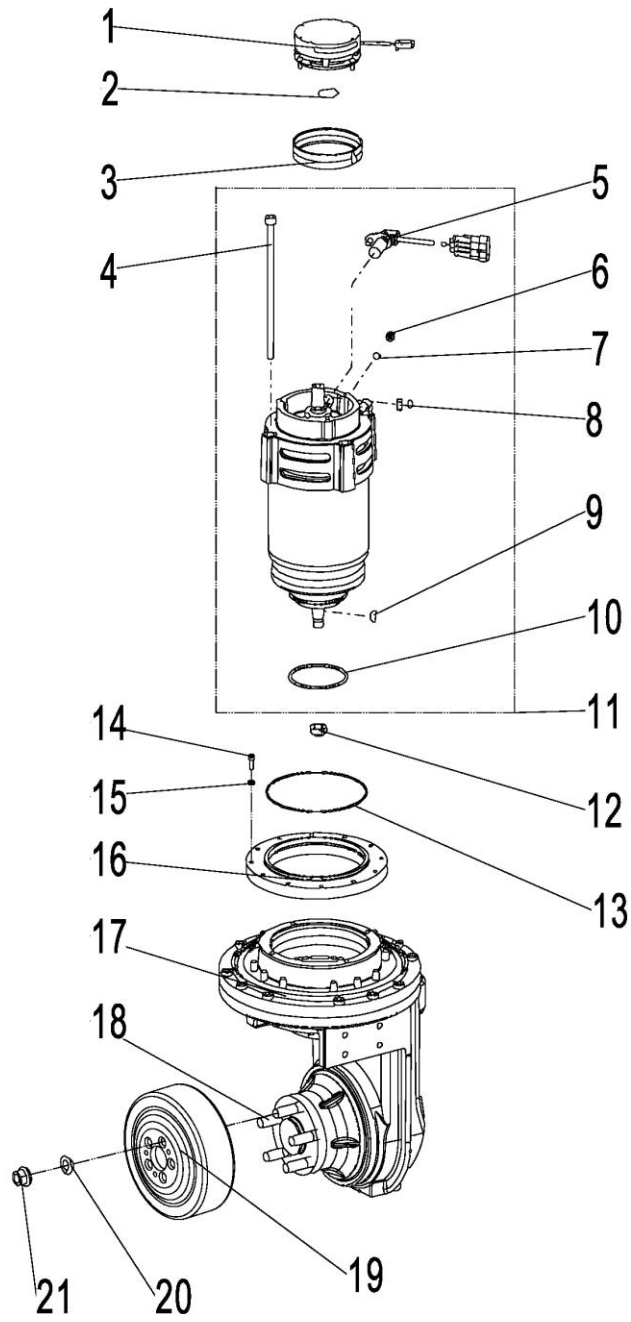
Fig. 21 Manual steering unit



**Fig. 21 Manual Steering Unit**

No.	Art No.	Description	Qty.	Note
1	910300100006	Nut	4	M8
2	535931210003	Steel rope components	2	
3	910300100010	Nut	1	M16
4	910400100010	Flat washer	1	16
5	535931220002	Rotate plate	1	
6	910700200021	Bearing	2	6206
7	910200200075	Screw	10	M10x20
8	910400500007	Spring washer	10	10
9	910200500015	Screw	2	M3x20
10	505633510000	Proximity switch	1	370mm
11	535931210002	Bearing base welding	1	
12	910200200023	Screw	6	M5x16
13	910400500004	Spring washer	6	5
14	910400100004	Flat washer	4	5
15	535931220004	Mounting plate	1	
16	910600800011	Flat key	1	6x16
17	910200200058	Screw	4	M8x25
18	910400500006	Spring washer	8	8
19	535931220001	Connecting base	1	
20	535931210001	Connecting plate welding	1	
21	535931210004	Fixing base welding	1	
22	910700200025	Bearing	2	6210
23	910401400024	Circlip	2	90
24	910401300024	Circlip	1	50
25	535931210005	Tiller arm welding	1	
26	910700200007	Bearing	1	6007
27	910401300018	Circlip	1	35
28	535913501001	Driving assembly (Manual steering)	1	

**Fig. 21 Driving assembly (Manual steering)**

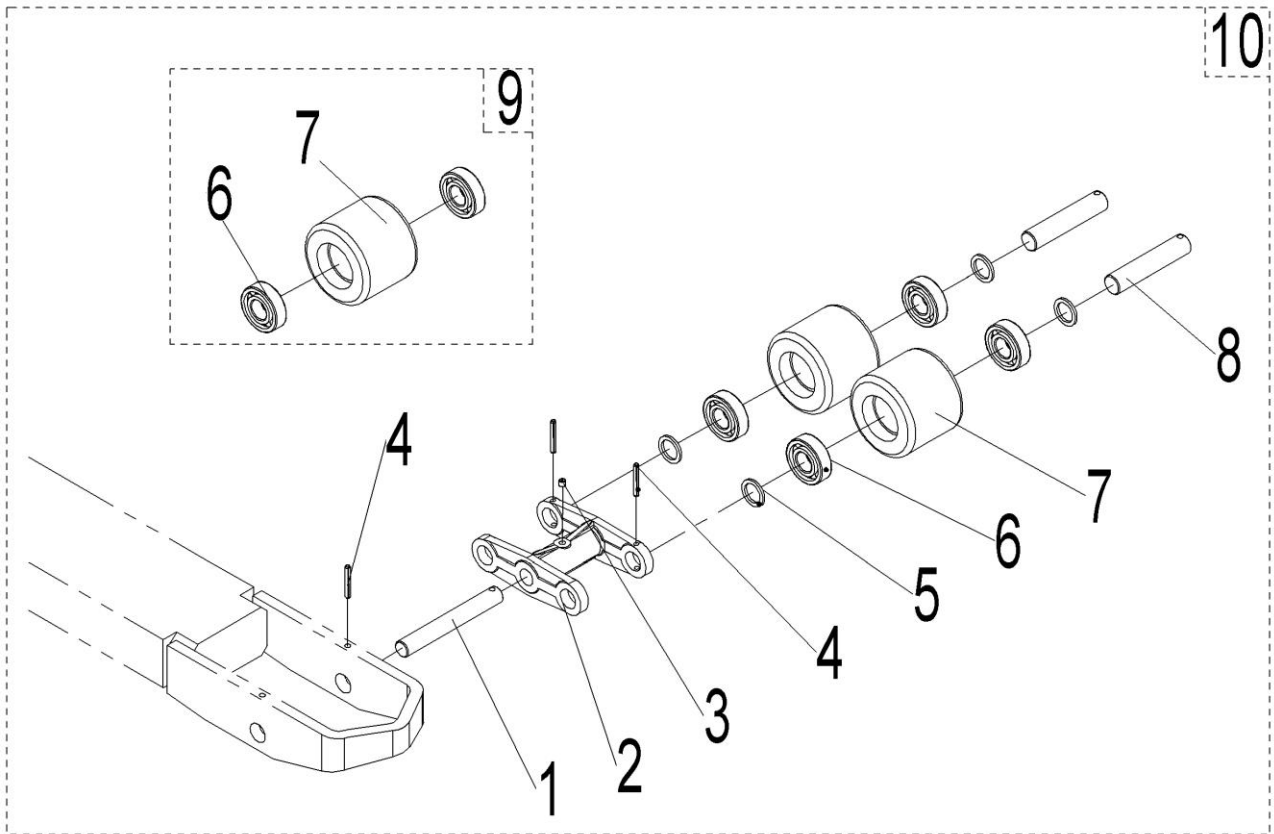


**Fig. 22 Driving assembly (Manual steering)**

No.	Art No.	Description	Qty.	Note
1	535998510001	Brake	1	
2	535998520000	Retaining ring	1	15
3	535998520001	Gasket	1	
4	535998520002	Cap screw	4	M8x175
5	535998510002	Sensor	1	
6	535998520003	Hexagon nut	1	M6x8
7	535998520004	Safety element	1	
8	535998520005	Fitted key	1	5x5x14
9	535998520006	Woodruff key	1	
10	535998520007	O ring	1	
11	535998510003	Motor	1	
12	535998520014	Antriebsritzel	1	
13	535998520008	Slotted nut	1	
14	535998520009	O ring	1	146x3
15	910200200060	Screw	9	M8x35
16	910400500006	Washer	9	8
17	535998520010	Adapter plate	1	
18	535998510004	Gearbox	1	
19	535998520011	Wheel Stud	5	
20	940300400005	Driving wheel	1	Φ 230x70
21	535998520012	Spring washer	5	
22	535998520013	Wheel nut	5	



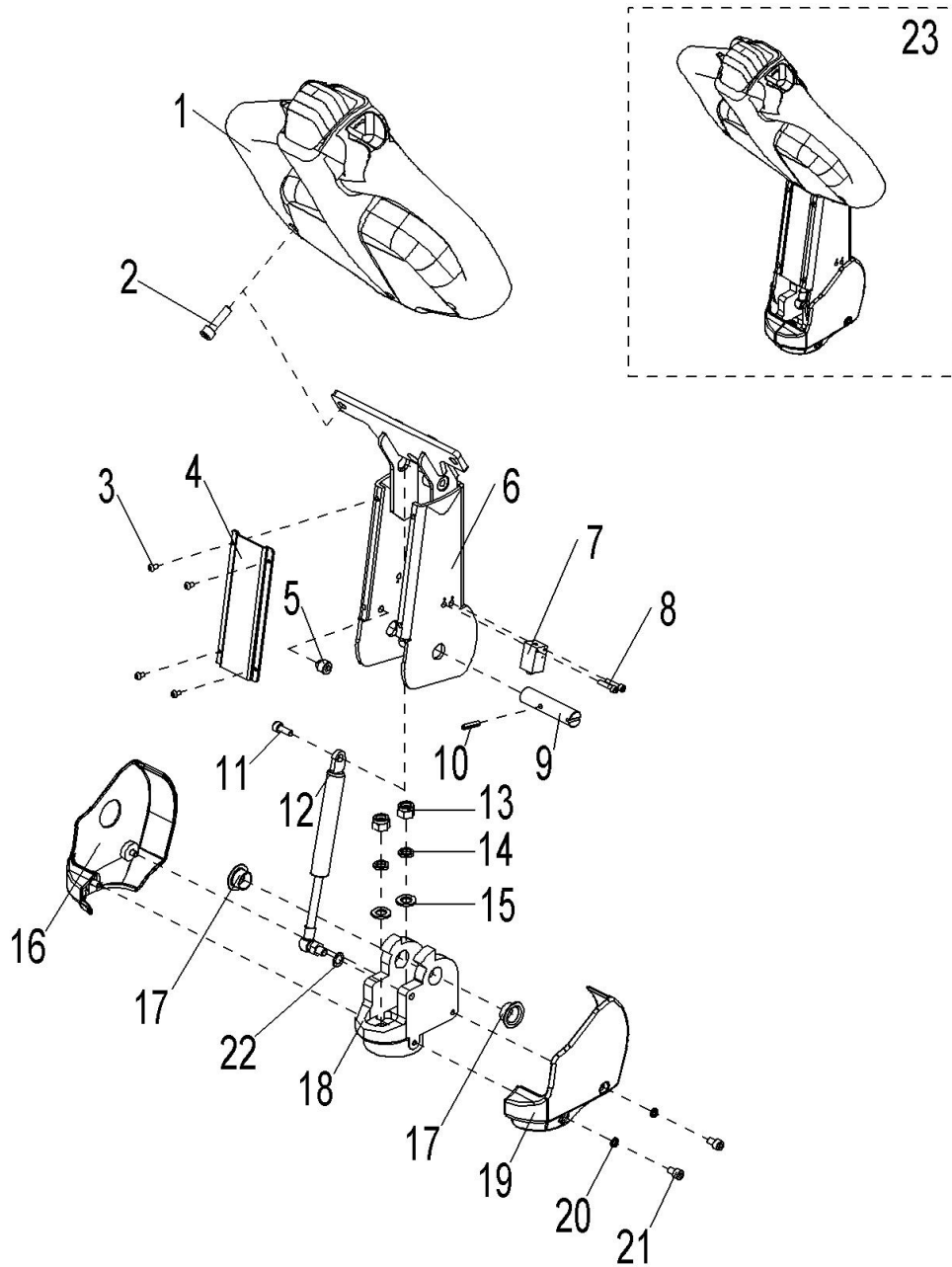
**Fig. 23 Load roller assembly**



**Fig. 23 Load Roller Assembly**

No.	Art No.	Description	Qty.	Note
1	504117020003	Axle	2	
2	504117020004	Tandem roller frame	2	
3	911200100001	Grease nipple	1	6
4	910600400027	Dowel pin	6	5x35
5	940600500004	Washer	8	thickness 2.5
6	910700200019	Bearing	8	6204
7	940300300009	Roller	4	
8	504117020005	Roller Axle	4	
9	532998510001	Roller set	4	
10	532917001000	Load roller assembly	2	

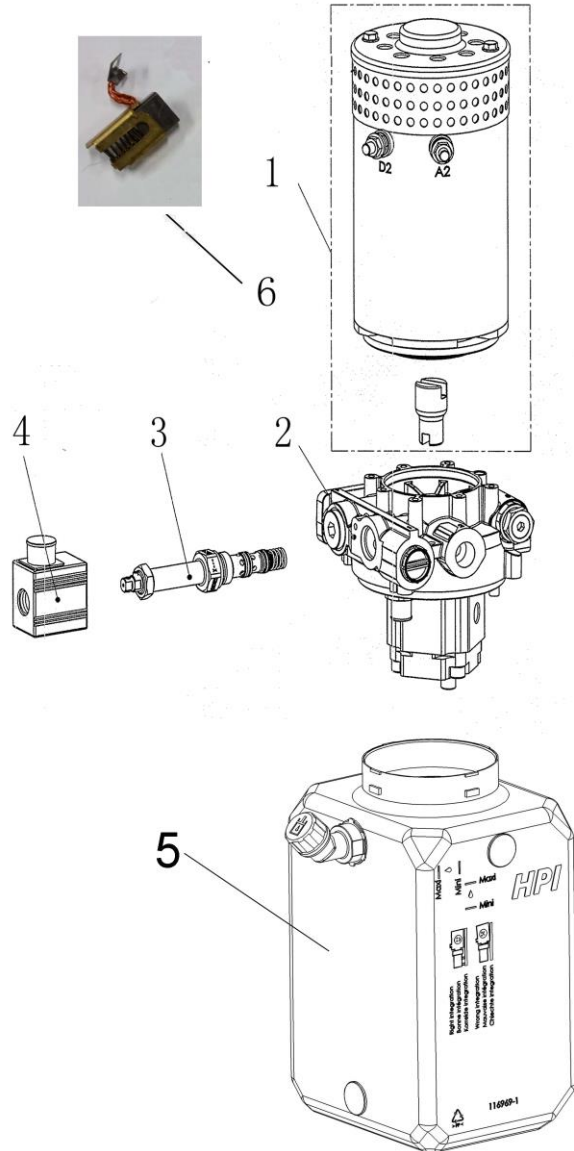
Fig. 24 Tiller assembly



**Fig. 24 Tiller Assembly**

No.	Art No.	Description	Qty.	Note
1	922100100001	Tiller	1	REMA
2	910200200058	Screw	2	M8x25
3	910200300005	Screw	4	M4x8
4	535911020003	Plate	1	
5	505611020007	Limit screw	1	M8x5
6	535911010000	Tiller welding	1	
7	506733510002	Proximity switch	1	280mm
8	910200500015	Screw	2	M3x20
9	505611020008	Axle	1	
10	910600400013	Dowel pin	1	4x24
11	910200200057	Screw	1	M8x20
12	940400100001	Air spring	1	330N
13	910300500005	Nut	2	M10
14	910400500007	Spring washer	2	10
15	910400100007	Flat washer	2	10
16	535911020005	Protective cover	1	
17	940500200002	Bushing	2	
18	535911020004	Tiller base	1	
19	535911020006	Protective cover	1	
20	910400500005	Spring washer	2	6
21	910200300016	Screw	2	M6x10
22	910400100006	Flat washer	1	8
23	535911001000	Tiller assembly	1	

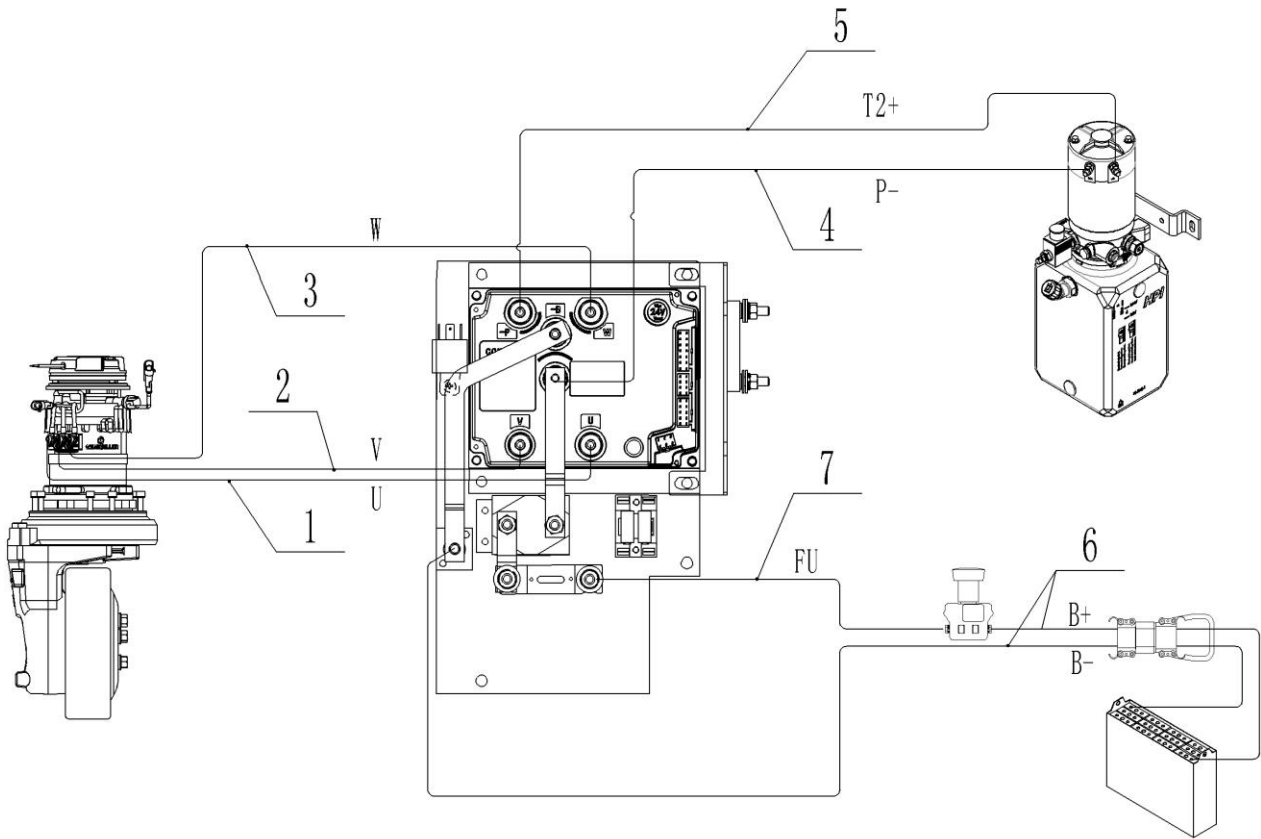
**Fig. 25 Hydraulic power unit**



**Fig. 25 Hydraulic Power Unit**

No.	Art No.	Description	Qty.	Note
1	534498510003	Motor	1	1.5KW
2	534498510004	Middle valve block	1	
3	534498510005	Electromagnetic valve core	1	
4	534498510006	Coil	1	
5	534498510007	Oil tank	1	
6	534498510008	Carbon brush	1	

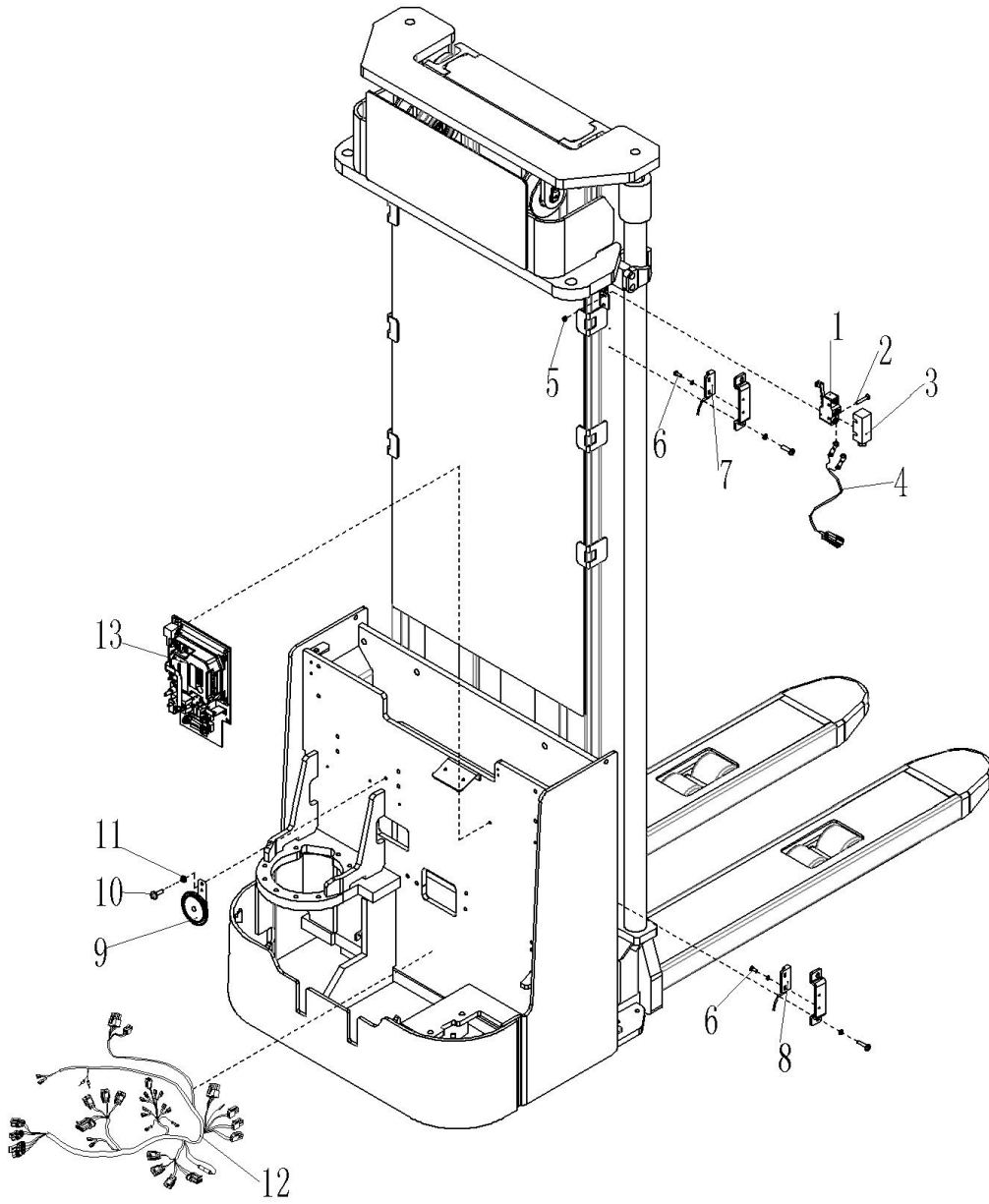
**Fig. 26 Main circuit wiring harness (Manual steering)**



**Fig. 25 Main Circuit Wiring Harness (Manual steering)**

No.	Art No.	Description	Qty.	Note
1	535933010003	Cable	1	U
2	535933010004	Cable	1	V
3	535933010005	Cable	1	W
4	535933010006	Cable	1	P-
5	535933010007	Cable	1	T2+
6	535933010008	Main power supply wiring harness	1	
7	535933010009	Cable	1	FU+

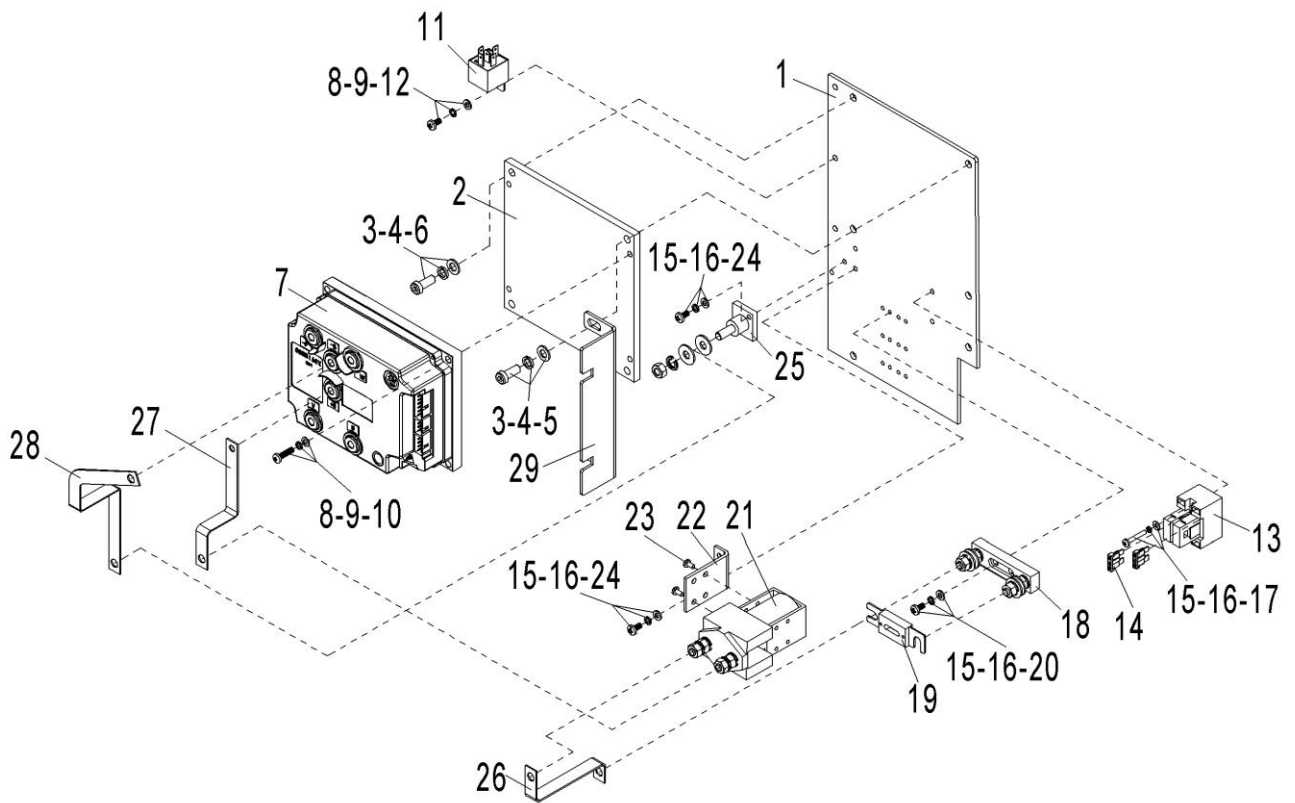
**Fig. 27 Electrical parts**



**Fig. 27 Electrical parts**

No.	Art No.	Description	Qty.	Note
1	920200300001	Micro switch	1	XZ-15GW22-B
2	910200400006	Screw	2	M4x25
3	920200300008	Micro switch protective cover	1	
4	535933510010	Limit control wiring harness (2750mm)	1	3600
	535933510008	Limit control wiring harness (2550mm)	1	3200
	535933510007	Limit control wiring harness (2400mm)	1	2900
5	910300500001	Nut	2	M4
6	910200500010	Screw	4	M3x8
7	535933510015	Magnetic switch, HWK23(2400mm)	1	3600
	535933510013	Magnetic switch, HWK23(2200mm)	1	3200
	535933510012	Magnetic switch, HWK23(2100mm)	1	2900
8	535933510005	Magnetic switch, HWK23(1200mm)	1	
9	920500100001	Horn	1	DC24V
10	910200200053	Screw	1	M8x12
11	910400500006	Spring washer	1	8
12	535933010000	Main control wiring harness (COMBIACX)	1	
13	535933010010	Electrical control components (COMBIACX)	1	

**Fig. 28 Electrical control components (COMBIACX)**

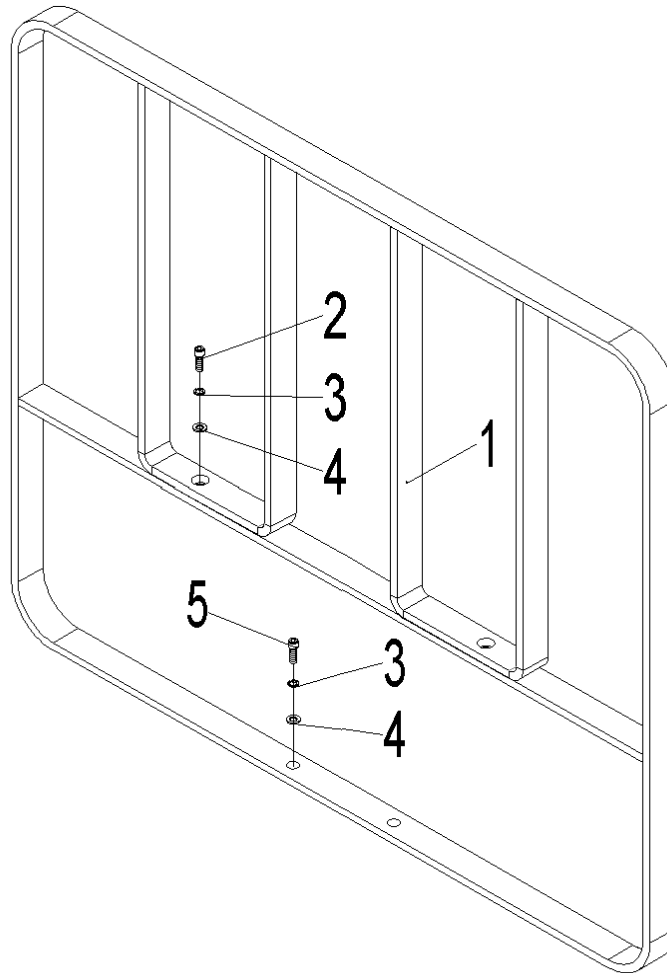




**Fig. 28 Electrical Control Components**

No.	Art No.	Description	Qty.	Note
1	535933020001	Mounting plate	1	
2	534733020000	Aluminium	1	COMBIACX
3	910400100006	Flat washer	2	8
4	910400500006	Spring washer	2	8
5	941100400001	Screw	1	M8x20
6	910200200055	Screw	1	M8x16
7	921400100048	Controller	1	
8	910400100004	Flat washer	5	5
9	910400500004	Spring washer	5	5
10	910200200023	Screw	4	M5x16
11	920800100001	Relay	1	
12	910200500036	Screw	1	M5x8
13	920100400005	Fuse base	1	2x10A
14	920100200002	Fuse	2	10A
15	910400100003	Flat washer	12	4
16	910400500003	Spring washer	12	4
17	910200500028	Screw	2	M4x30
18	920100400002	Fuse base	1	SYT
19	920100100013	Fuse	1	350A
20	910200500024	Screw	4	M4x16
21	920700100002	Contacteur	1	
22	921300400004	Main contacteur fixing part	1	
23	910200600005	Screw	2	M4x8
24	910200500034	Screw	6	M4x8
25	920100400001	Fuse base	1	M8
26	535933020003	Copper bar	1	
27	535933020004	Copper bar	1	
28	506733020006	Copper bar	1	
29	535921520033	Fixing plate	1	

**Fig. 29 Load backrest**



**Fig. 29 Load backrest**

No.	Art No.	Description	Qty.	Note
1	532640510001	Load backrest welding	1	
2	910200200076	Screw	2	M10x25
3	910400100007	Flat washer	4	10
4	910400500007	Spring washer	4	10
5	910200200078	Screw	2	M10x35

### Easy worn parts list

No.	Art No.	Description	Qty. .	Fig./Position	Note
1	940400100037	Air spring	2	Fig. 6/2	Protective arm components
2	940500200003	Bushing	2	Fig. 6/7	
3	505633510002	Proximity switch	2	Fig. 6/16	Protective arm components
			1	Fig. 9/15	Panel components
4	940500200008	Bushing	2	Fig. 9/3	Panel components
5	940400100038	Air spring	1	Fig. 9/12	
6	535918020018	PU bushing	2	Fig. 9/21	
7	910700400004	Bearing	2	Fig. 10/3	Roller components
8	910700200019	Bearing	2	Fig. 10/11	Roller components
			8	Fig. 22/6	Load roller assembly
9	940300300020	Roller	1	Fig. 10/12	Roller components
10	534498520000	Dust ring	1	Fig. 18/1	Full free lifting two-stage mast External Cylinder components
11	534498520001	Sealing ring	1	Fig. 18/2	
12	534498520002	Sealing part	1	Fig. 18/3	
13	534498520003	Support ring	1	Fig. 18/4	
14	910800100093	O Ring	1	Fig. 18/5	Full free lifting two-stage mast External Cylinder components
			1	Fig. 20/6	Standard lifting two-stage mast External Cylinder components
15	533298520004	Support ring	1	Fig. 18/13	Full free lifting two-stage mast External Cylinder components
			1	Fig. 20/12	Standard lifting two-stage mast External Cylinder components
16	534498510000	Sealing components	1	Fig. 18/14	Full free lifting two-stage mast External Cylinder components
17	504498520000	Dust ring	1	Fig. 19/2	Full free lifting two-stage mast Middle Cylinder components
18	534498520019	Ring	1	Fig. 19/3	
19	504498520001	Sealing ring	1	Fig. 19/4	
20	534498520021	O Ring	1	Fig. 19/6	
21	534498520022	Ring	1	Fig. 19/7	
22	534798520055	Support ring	1	Fig. 19/13	
23	534498510001	Sealing components	1	Fig. 19/14	

24	534498520026	Dust ring	1	Fig. 20/1	Standard lifting two-stage mast External Cylinder components
25	534498520027	Sealing ring	1	Fig. 20/2	
26	534498520028	Sealing part	1	Fig. 20/3	
27	534498520029	Support ring	1	Fig. 20/4	
28	534498510002	Sealing components	1	Fig. 20/13	
29	910700200021	Bearing	2	Fig. 21/6	Manual steering unit
30	505633510000	Proximity switch	1	Fig. 21/10	
31	910700200025	Bearing	2	Fig. 21/22	
32	910700200007	Bearing	1	Fig. 21/26	
33	940300300009	Roller	4	Fig. 22/7	Load roller assembly
34	532917001000	Load roller assembly	2	Fig. 22/10	
35	920200300001	Micro switch	1	Fig. 27/1	Electrical parts
36	535933510015	Magnetic switch	1	Fig. 27/7	
	535933510013	Magnetic switch			
	535933510012	Magnetic switch			
37	535933510005	Magnetic switch		Fig. 27/8	
38	920100200002	Fuse	2	Fig. 28/14	Electrical control components (COMBIACX)
39	920100100013	Fuse	1	Fig. 28/19	